

# DP83864 Quad GigPHYTER™ 10/100/1000 Ethernet Physical Layer

## General Description

The DP83864 is an extremely efficient full featured Quad Physical Layer transceiver with integrated PMD sublayers to support 10BASE-T, 100BASE-TX and 1000BASE-T Ethernet protocols.

The DP83864 contains four integrated ultra low power Gigabit Physical layers. It uses advanced 0.18  $\mu\text{m}$ , 1.8 V CMOS technology, fabricated at National's South Portland, Maine facilities.

The DP83864 is designed for easy implementation of 10/100/1000 Mb/s Ethernet LANs. Each port interfaces directly to Twisted Pair media via an external transformer. This device interfaces directly to the MAC layer through the IEEE 802.3u Standard Media Independent Interface (MII) or the IEEE 802.3z Gigabit Media Independent Interface (GMII). It also supports the reduced pin count RGMII (12 pins per port) and serial GMII (8 pins per port).

The DP83864 is a fourth generation of Gigabit Physical layer product with field proven architecture and performance. Its robust performance ensures drop in replacement of existing 10/100M equipment with 10/100/1000M Networking infrastructure.

## Applications

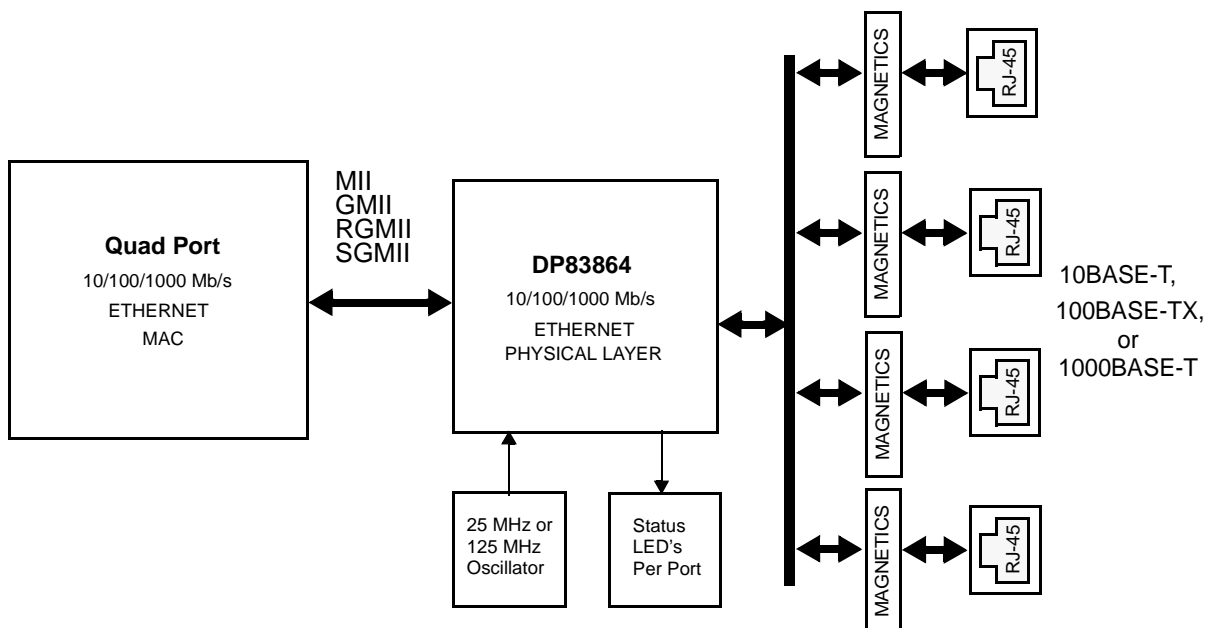
The DP83864 fits applications in:

- Switches with 10/100/1000 Mb/s capable ports
- High speed uplink ports with redundancies (backbone)
- Servers with Quad Ethernet ports

## Features

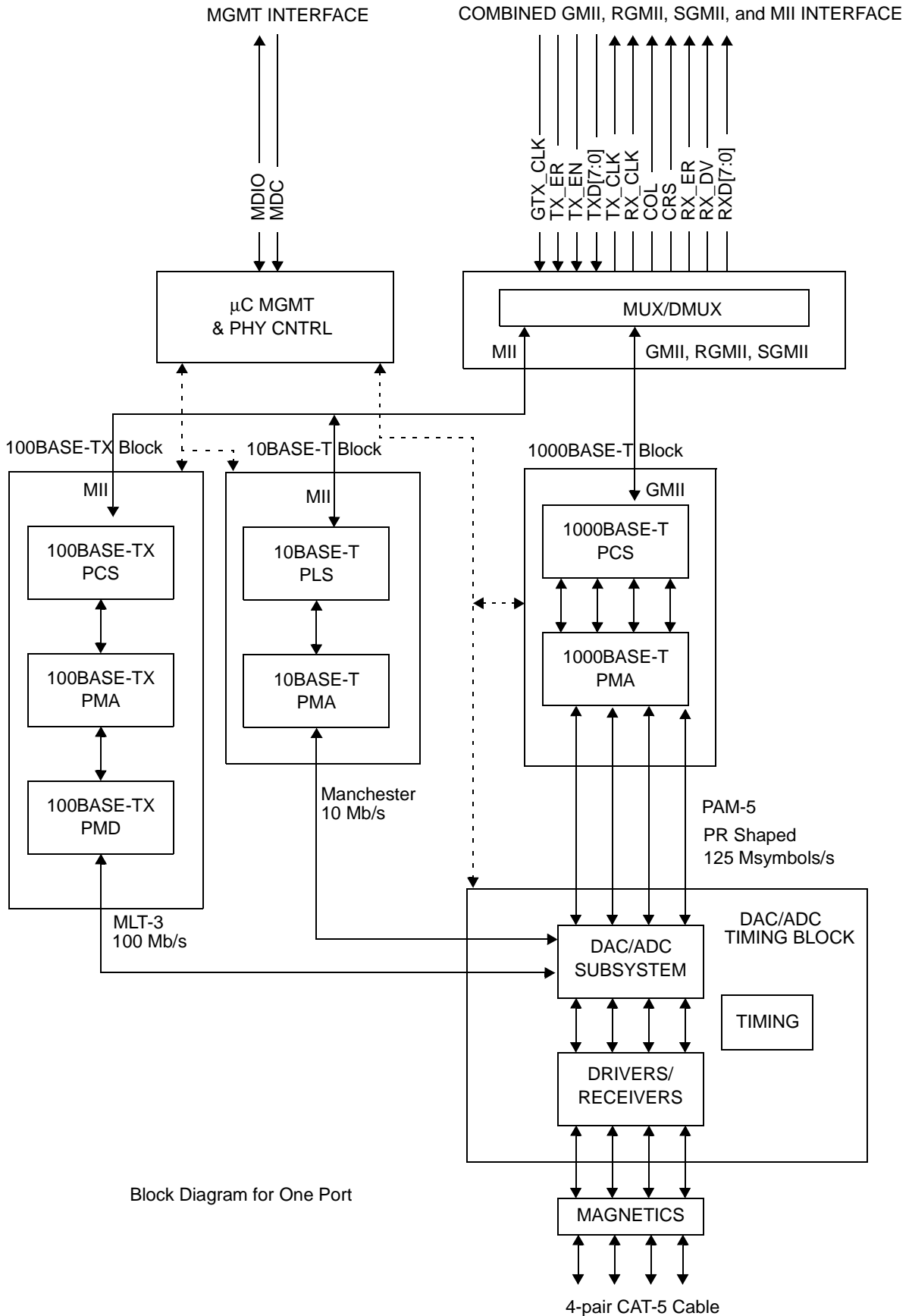
- IEEE compliant 10BASE-T, 100BASE-TX, 1000BASE-T
- Adaptive equalization and Baseline Wander comp.
- IEEE 802.3u Auto-Negotiation and Parallel Detection
  - Fully auto-negotiates between 1000 Mb/s, 100 Mb/s, and 10 Mb/s full duplex and half duplex devices
- 2.5 V/3.3 V MAC interfaces:
  - IEEE 802.3u MII with programmable bus ordering
  - IEEE 802.3z GMII with programmable bus ordering
  - Reduced GMII (RGMII) ver. 1.3
  - Serial GMII (SGMII)
- LED support (Link10, Link100, Link1000, Activity and Duplex indicators); Direct drive LED's thru management
- User Programmable Interrupt
- A 25Mhz or 125Mhz oscillator as reference clock input
- PHY level CRC checking on received packets and PHY level CRC generation for test mode transmit packets
- 292 BGA package
- Power dissipation approximately 1 W / port
- 1.8 V CMOS (core & analog); 2.5 V (analog & I/O); 3.3 V is optional for 3.3 V I/O voltage
- One management port per chip
- Supports Auto-MDIX/polarity at all speeds
- One JTAG interface per chip

## System Diagram



GigPHYTER™ is a trademark of National Semiconductor Corporation.

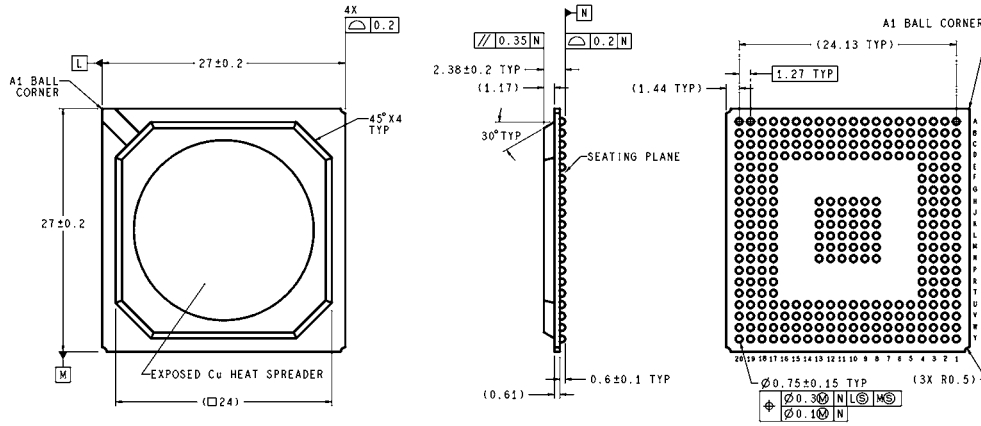
### Block Diagram (Showing One Port)



Block Diagram for One Port

**Notes:**

# Physical Dimensions inches (millimeters) unless otherwise noted



DIMENSIONS ARE IN MILLIMETERS

UFH292A (Rev A)

## NS Package BGA-292 Order Number DP83864AUT

### LIFE SUPPORT POLICY

NATIONAL'S PRODUCTS ARE NOT AUTHORIZED FOR USE AS CRITICAL COMPONENTS IN LIFE SUPPORT DEVICES OR SYSTEMS WITHOUT THE EXPRESS WRITTEN APPROVAL OF THE PRESIDENT AND GENERAL COUNSEL OF NATIONAL SEMICONDUCTOR CORPORATION. As used herein:

1. Life support devices or systems are devices or systems which, (a) are intended for surgical implant into the body, or (b) support or sustain life, and whose failure to perform, when properly used in accordance with instructions for use provided in the labeling, can be reasonably expected to result in a significant injury to the user.
2. A critical component is any component of a life support device or system whose failure to perform can be reasonably expected to cause the failure of the life support device or system, or to affect its safety or effectiveness.



**National Semiconductor**  
Americas Customer  
Support Center  
Email: [new.feedback@nsc.com](mailto:new.feedback@nsc.com)  
Tel: 1-800-272-9959

**National Semiconductor**  
Europe Customer  
Support Center  
Fax: +49 (0) 180-530 85 86  
Email: [europe.support@nsc.com](mailto:europe.support@nsc.com)  
Deutsch Tel: +49 (0) 69 9508 6208  
English Tel: +44 (0) 870 24 0 2171  
Francais Tel: +33 (0) 1 41 91 8790

**National Semiconductor**  
Asia Pacific Customer  
Support Center  
Email: [ap.support@nsc.com](mailto:ap.support@nsc.com)

**National Semiconductor**  
Japan Customer  
Support Center  
Fax: 81-3-5639-7507  
Email: [jpn.feedback@nsc.com](mailto:jpn.feedback@nsc.com)  
Tel: 81-3-5639-7560

[www.national.com](http://www.national.com)