



W9961CF

H.263/H.261 VIDEO CODEC

W9961CF

H.263/H.261 Video Codec

Version 1.0

April, 1999



Copyright by Winbond Electronics Corp., all rights reserved.

The information in this document has been carefully checked and is believed to be correct as of the date of publication. Winbond Electronics Corp. reserves the right to make changes in the product or specification, or both, presented in this publication at any time without notice.

Winbond assumes no responsibility or liability arising from the specification listed herein. Winbond makes no representations that the use of its products in the manner described in this publication will not infringe on existing or future patents, trademark, copyright, or rights of third parties. No license is granted by implication or other under any patent or patent rights of Winbond Electronics Corp.

All other trademarks and registered trademarks are the property of their respective holders.



TABLE OF CONTENTS

1 GENERAL DESCRIPTION.....	7
2 FEATURES.....	8
3 PIN CONFIGURATION	10
4 PIN DESCRIPTION	11
4.1 PIN DEFINITION	11
4.2 PIN LIST	17
4.3 POWER ON RESET INITIALIZATION.....	22
5 SYSTEM DIAGRAM	24
6 BLOCK DIAGRAM.....	26
7 FUNCTIONAL DESCRIPTION	27
7.1 VPRE PROCESSOR.....	27
7.2 VIDEO CODEC.....	28
7.2.1 <i>Video Coding</i>	28
7.2.1.1 I-pictures INTRA Coding.....	28
7.2.1.2 P-pictures INTER Coding.....	29
7.2.1.3 P-pictures INTRA Coding.....	29
7.2.2 <i>Video Decoding</i>	29
7.3 VPOST PROCESSOR	30
7.3.1 <i>Video Post-processing</i>	30
7.3.2 <i>Display Control</i>	31
7.3.3 <i>Video Output Control</i>	31
7.3.3.1 Hue, Saturation, Contrast, and Brightness Adjustments.....	31
7.3.3.2 Video Output Interface.....	32
7.4 RISC MICROPROCESSOR	35
7.4.1 <i>RISC Pipeline Stages</i>	35
7.4.2 <i>Address Spaces</i>	36
7.4.2.1 Program Memory Address Space.....	36
7.4.2.2 Data Memory Address Space	36
7.4.3 <i>RISC Registers</i>	38
7.4.3.1 General Registers	38
7.4.3.2 Shadow Registers	38
7.4.4 <i>RISC Interrupt Handling</i>	39
7.5 INTC (INTERRUPT CONTROLLER).....	41
7.6 TIMER	43
7.7 FDMA CONTROLLER.....	44
7.7.1 <i>FDMA Transfer Modes</i>	45
7.7.2 <i>FDMA Transfer Types</i>	45



7.7.3	<i>FDMA Programming</i>	45
7.8	HOST INTERFACE CONTROLLER	48
7.8.1	<i>PCI Address Spaces</i>	48
7.8.2	<i>PCI Interrupt Control</i>	48
7.9	DRAM CONTROLLER	50
7.9.1	<i>Video Memory Arbitration</i>	50
7.9.2	<i>DRAM Interface</i>	51
7.10	ISA-LIKE BUS INTERFACE AND GPIOS	52
7.10.1	<i>ISA-like Bus Interface</i>	52
7.10.2	<i>GPIO</i>	52
7.11	PLL (PHASE LOCKED LOOP)	53
8	ELECTRICAL CHARACTERISTICS	54
8.1	ABSOLUTE MAXIMUM RATINGS	54
8.2	DC CHARACTERISTICS	54
8.2.1	<i>DAC DC Characteristics</i>	54
8.2.2	<i>Digital DC Characteristics</i>	58
8.3	AC CHARACTERISTICS	59
8.3.1	<i>DAC AC Characteristics</i>	59
8.3.2	<i>PLL AC Characteristics</i>	59
8.3.3	<i>RESET Timing AC Characteristics</i>	60
8.3.4	<i>Clock AC Characteristics</i>	60
8.3.5	<i>Input Timing AC Characteristics</i>	61
8.3.6	<i>Output Timing AC Characteristics</i>	62
9	PACKAGE SPEC.	64
10	ORDERING INFORMATION	65

LIST OF FIGURES

FIGURE 3.1 W9961CF PIN CONFIGURATION	10
FIGURE 5.1 W9961CF-BASED STAND-ALONE VIDEOPHONE SYSTEM DIAGRAM	24
FIGURE 6.1 W9961CF BLOCK DIAGRAM	26
FIGURE 7.1 VPRE PROCESSOR BLOCK DIAGRAM	27
FIGURE 7.2 VIDEO CODEC BLOCK DIAGRAM	28
FIGURE 7.3 VPOST PROCESSOR BLOCK DIAGRAM	30
FIGURE 7.4 TYPICAL THREE-WINDOW DISPLAY FOR VIDEO CONFERENCING APPLICATIONS.....	31
FIGURE 7.5 HUE, SATURATION, CONTRAST, AND BRIGHTNESS CONTROLS	32
FIGURE 7.6 RISC MICROPROCESSOR BLOCK DIAGRAM	35
FIGURE 7.7 PROGRAM MEMORY ADDRESS SPACE.....	37
FIGURE 7.8 DATA MEMORY ADDRESS SPACE	37
FIGURE 7.9 RISC GENERAL REGISTERS	38
FIGURE 7.10 INTC BLOCK DIAGRAM	41
FIGURE 7.11 TIMER BLOCK DIAGRAM.....	43
FIGURE 7.12 FDMA CONTROLLER BLOCK DIAGRAM	44
FIGURE 7.13 BLOCK TRANSFER MODE WITH BLOCK ADDRESSING.....	46
FIGURE 7.14 DEMAND TRANSFER MODE WITH LINEAR ADDRESSING.....	47
FIGURE 7.15 HOST INTERFACE CONTROLLER BLOCK DIAGRAM	48
FIGURE 7.16 DRAM CONTROLLER BLOCK DIAGRAM.....	50
FIGURE 7.17 PLL BLOCK DIAGRAM.....	53
FIGURE 8.1 525-LINE (NTSC/PAL-M) Y (LUMINANCE) OUTPUT WAVEFORM.....	55
FIGURE 8.2 625-LINE (PAL-B, D, G, H, N) Y (LUMINANCE) OUTPUT WAVEFORM.....	55
FIGURE 8.3 525-LINE (NTSC/PAL-M) C (CHROMINANCE) OUTPUT WAVEFORM	56
FIGURE 8.4 625-LINE (PAL-B, D, G, H, N) C (CHROMINANCE) OUTPUT WAVEFORM	56
FIGURE 8.5 525-LINE (NTSC/PAL-M) COMPOSITE VIDEO OUTPUT WAVEFORM	57
FIGURE 8.6 625-LINE (PAL-B, D, G, H, N) COMPOSITE VIDEO OUTPUT WAVEFORM	57
FIGURE 8.7 RESET TIMING	60
FIGURE 8.8 CLOCK WAVEFORM.....	60
FIGURE 8.9 INPUT TIMING.....	61
FIGURE 8.10 OUTPUT TIMING.....	62
FIGURE 9.1 208L QFP (28X28 MM FOOTPRINT 2.6MM) DIMENSIONS	64

LIST OF TABLES

TABLE 4.1	W9961CF PIN LIST.....	17
TABLE 4.2	W9961CF POWER ON RESET DEFINITIONS	22
TABLE 7.1	W9961CF VIDEO OUTPUT MODES	32
TABLE 7.2	W9961CF VIDEO OUTPUT INTERFACE PIN ASSIGNMENT	34
TABLE 7.3	DATA MEMORY ADDRESS MAPPING.....	37
TABLE 7.4	RISC INTERRUPT VECTORS	39
TABLE 7.5	INTERRUPT CHANNELS	41
TABLE 7.6	FDMA CHANNELS.....	44
TABLE 7.7	PCI INTERRUPT CHANNELS	48
TABLE 7.8	SDRAM AND EDO DRAM INTERFACE SIGNALS	51
TABLE 7.9	ISA-LIKE BUS ACCESS MODES.....	52
TABLE 8.1	ABSOLUTE MAXIMUM RATINGS	54
TABLE 8.2	DAC DC CHARACTERISTICS	54
TABLE 8.3	DIGITAL DC CHARACTERISTICS.....	58
TABLE 8.4	DAC AC CHARACTERISTICS	59
TABLE 8.5	TV MODES RESOLUTION AND CLOCK RATE	59
TABLE 8.6	PLL AC CHARACTERISTICS	59
TABLE 8.7	RESET TIMING	60
TABLE 8.8	CLOCK AC CHARACTERISTICS.....	60
TABLE 8.9	PCICLK-REFERENCED INPUT TIMING AC CHARACTERISTICS	61
TABLE 8.10	SMCLK-REFERENCED INPUT TIMING AC CHARACTERISTICS.....	61
TABLE 8.11	VICLK-REFERENCED INPUT TIMING AC CHARACTERISTICS	62
TABLE 8.12	PCICLK-REFERENCED OUTPUT TIMING AC CHARACTERISTICS	62
TABLE 8.13	SMCLK-REFERENCED OUTPUT TIMING AC CHARACTERISTICS	62
TABLE 8.14	PCLK-REFERENCED OUTPUT TIMING AC CHARACTERISTICS.....	63



1 GENERAL DESCRIPTION

The W9961CF is a highly integrated single chip video codec provided by Winbond Electronics Corp. The W9961CF performs video compression and decompression fully compliant with ITU-T H.263 and H.261 standards for video conferencing. Working in conjunction with the high performance 32-bit RISC, W90220CF, the W9961CF is aimed to provide a complete video solution that supports both the H.324 international standard for video conferencing over regular telephone lines (Public Switched Telephone Network, or PSTN) as well as the H.320 international standard for ISDN video conferencing. Moreover, the W9961CF integrates a high quality NTSC/PAL TV encoder to directly interface to TV or LCD, eliminating the need for a separate TV encoder for stand-alone or set-top videophone.

To achieve high performance video coding and decoding, many hardware engines are integrated in the W9961CF, which perform Motion Estimation and Motion Compensation, Discrete Cosine Transform (DCT) and Inverse Discrete Cosine Transform (IDCT), Quantization and Inverse Quantization, Zig-zag Scan, Variable Length Encoding and Variable Length Decoding (VLD), etc. A high performance 16-bit RISC with 5Kx22 bits program memory (PM) and 1Kx16 bits data memory (DM) is also integrated for H.263/H.261 coding/decoding control and intelligent frame rate control. There are three picture formats supported by the W9961 encoder and decoder: sub-QCIF, QCIF, and CIF. The W9961CF, when operated at 70 Mhz clock frequency, is capable to encode/decode sub-QCIF, QCIF, or CIF at 30 fps.

The W9961CF can accept NTSC or PAL video, square, or rectangular pixels, and convert to sub-QCIF, QCIF, or CIF format. A two-dimensional noise reduction filter is integrated to reduce noise and improve coding efficiency. Built-in cropping window control and arbitrary scaling in both the horizontal and vertical directions can serve as the digital pan and zoom over a user-specified region for camera control.

In the video post-processing, the W9961CF supports two movable and arbitrarily scaleable windows with picture-in-picture (PIP) feature for remote and local view video. A built-in post deblocking filter is used to reduce visible artifacts of remote view from video compression. The local view video can be mirrored or unmirrored. A display controller is built-in with 4-/8-/16-bit color modes for background or on-screen-display (OSD). A high quality NTSC/PAL TV encoder is also integrated to directly interface to TV or LCD.

An on-chip DRAM controller is used to interface to SDRAM or EDO DRAM through 32-bit data bus. The W9961CF is a 3.3 V device with TTL-compatible 3.3 V or 5.0 V I/O, and is packaged in 208-pin PQFP.



2 FEATURES

❑ Video Codec

- Fully compliant with ITU-T international standards H.263 and H.261
- Encodes/decodes in sub-QCIF (128x96), QCIF (176x144), or CIF (352x288) picture format
- Encodes/decodes sub-QCIF/QCIF/CIF at 30 frames per second (fps)
- Supports both integer search and half-pixel search motion estimation
- Supports several H.263 Version 2 preferred modes including
 - Annex D Unrestricted Motion Vectors (With UUI = 1)
 - Annex J Deblocking Filter
 - Annex K Slice Structured Mode
 - Annex L Supplemental Enhancement Information (Full-Frame Freeze Only)
 - Annex T Modified Quantization

❑ Video Pre-processing

- Direct connect to digital camera through 8- or 16-bit data bus
- Glueless interface to NTSC/PAL TV decoder
- Input video format compliant with YCbCr 4:2:2 CCIR 601 standard
- Built-in two-dimensional noise reduction filter to reduce noise and improve coding efficiency
- Built-in cropping and arbitrary scaling for digital pan and zoom camera control

❑ Video Post-processing

- Built-in two moveable and arbitrarily scalable video windows with picture-in-picture (PIP)
- Built-in post deblocking filter to reduce visible artifacts of remote view from video compression
- The local view can be mirrored or unmirrored
- Built-in display controller with 4-/8-/16-bit color modes for background or on-screen-display (OSD)
- Built-in NTSC/PAL TV encoder with three 9-bit DACs for direct TV output
- Built-in 3-line 1D/2D flicker-free filter for best text quality
- Supports three composite video, one S-Video and one composite video, or one RGB output



- Hue, saturation, contrast, and brightness adjustments

- ❑ **ISA-like Interface and GPIOs**
 - Direct connect to DSPG CT802X-series audio processor through 8-bit ISA-like interface
 - Provides several general purpose I/O ports which can be configured as serial ports, keypad control, button control, remote control, etc.

- ❑ **Host Interface**
 - Direct connect to Winbond W902X0-series CPU through 32-bit PCI bus
 - PCI 2.1 compliant

- ❑ **Memory Interface**
 - Supports SDRAM or 1-cycle EDO DRAM at 70 Mhz maximum clock frequency
 - Supports 32-bit DRAM interface in 1, 2 or 4 Mbytes configuration

- ❑ **Built-in Programmable Phase-Locked Loop (PLL) Clock Synthesizer**

- ❑ **Operating Frequency is 70 Mhz with Video Input Frequency of 13.5 MHz (typical), Video Output Frequency of 27.0 Mhz, and PCI Clock Frequency of 33 MHz**

- ❑ **3.3 V Device with TTL-compatible 3.3 V or 5.0 V I/O**

- ❑ **Fabricated in Advanced 0.35um TLM Technology**

- ❑ **208L QFP Package**

3 PIN CONFIGURATION

The W9961CF is packaged in a 208L QFP. The pin configuration is shown in Figure 3.1.

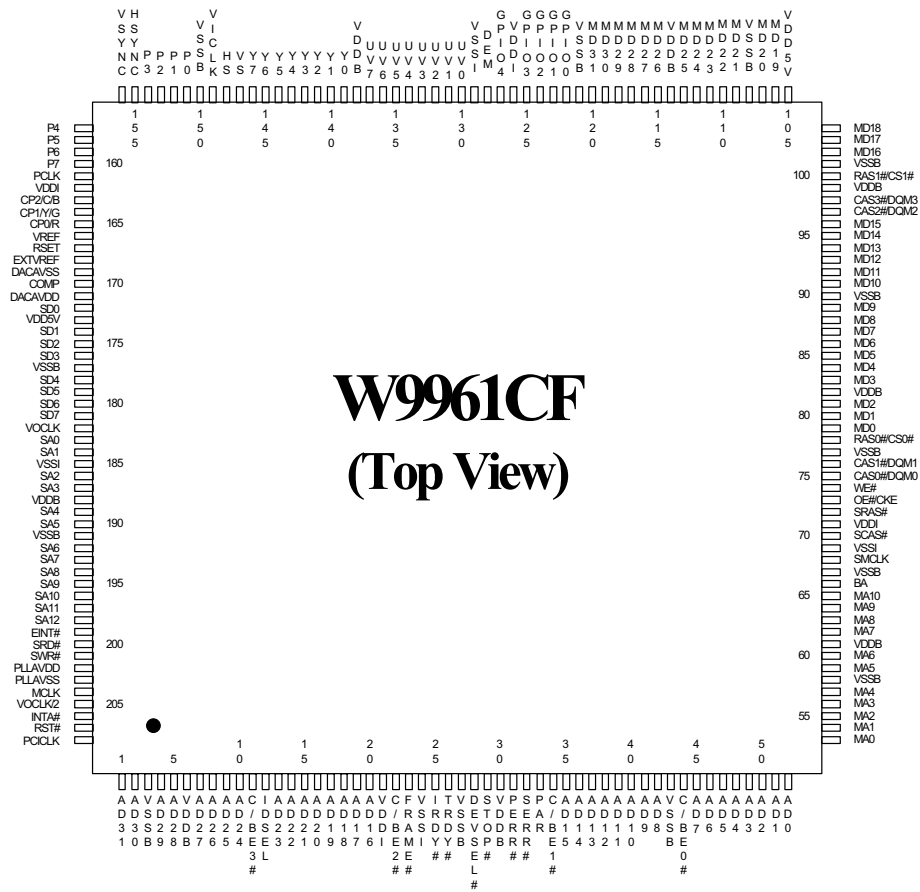


Figure 3.1 W9961CF Pin Configuration



4 PIN DESCRIPTION

The following tables provide a brief description of each pin on the W9961CF. The following signal type definitions are used in these descriptions:

I	Input pin
IU	Input pin with internal pull-up resistor
B	Bi-directional input/output pin
O	Output pin
TS	Tri-State output pin
STS	Sustained Tri-State pin. Must drive it high for at least one PCI clock before letting it float.
A	Analog pin
P	Power supply pin
G	Ground pin
#	Active low

4.1 Pin Definition

PCI Bus Interface (48 pins)

Pin Name	Pin Number	Type	Description
AD[31:0]	1, 2, 4, 5, 7-10, 13-20, 35-42, 45-52	B	Multiplexed System Address and Data Bus. The address phase is the clock cycle in which FRAME# is asserted. Data is transferred during those clocks where both IRDY# and TRDY# are asserted.
C/BE[3:0]#	11, 22, 34, 44	I	Multiplexed Bus Command and Byte Enables. During the address phase of a transaction, C/BE[3:0]# define the bus command. During the data phase C/BE[3:0]# are used as Byte Enables.
PAR	33	TS	Parity. It is even parity across AD31-AD0 and C/BE[3:0]#.
FRAME#	23	I	Cycle Frame. Asserted to indicate a bus transaction is beginning.
TRDY#	26	STS	Target Ready. A data phase is completed on any clock both TRDY# and IRDY# are sampled asserted.
IRDY#	25	I	Initiator Ready. A data phase is completed on any clock both IRDY# and TRDY# are sampled asserted.

W9961CF



INTA#	206	TS	Interrupt Request. Asserted low, level sensitive.
STOP#	29	STS	Stop. Asserted to request the master to stop the current transaction.
DEVSEL#	28	STS	Device Select. Asserted to indicate the W9961CF has decoded its address as the target of the current access.
IDSEL	12	I	Initialization Device Select. Used as chip select during configuration read and write transactions.
PERR#	31	STS	Parity Error. It is only for the reporting of data parity errors during the PCI transactions. The W9961CF cannot report a PERR# until it has claimed the access by asserting DEVSEL# and completed a data phase.
SERR#	32	TS	System Error. It is for reporting address parity errors, or any other system error where the result will be catastrophic.
PCICLK	208	I	PCI System Clock. Up to 33 Mhz for W9961CF.
RST#	207	I	System Reset.

Video Memory Interface (55 pins)

Pin Name	Pin Number	Type	Description
MD[31:0]	120-115, 113-109, 107, 106, 104-102, 96-91, 89-83, 81-79	B	Data Bus. Note: MD[15:0] are also used as the system configuration strapping bits, providing system configuration and setup information upon power-on or reset.
MA[10:0]	65-62, 60, 59, 57-53	O	Address Bus. Note: for SDRAM, MA[10:0] are sampled during the ACTIVE command (row address MA[10:0]) and READ/WRITE command (column address MA[7:0], with MA10 defining AUTO PRECHARGE) to select one location out of the 512K available in the respective bank. MA10 is sampled during a PRECHARGE command to determine if all banks are to be precharged (MA10 HIGH).
RAS[1:0]#	100, 78	O	EDO DRAM: Row Address Strobes.
CS[1:0]#			SDRAM: Chip Select. CS[1:0]# enable the command decoder

W9961CF



			for each external memory bank.
CAS[3:0]# DQM[3:0]	98, 97, 76, 75	O	EDO DRAM: Column Address Strobes. SDRAM: Input/Output Mask. DQM[3:0] are input mask signals for write accesses and output enable signals for read accesses. DQM0 corresponds to MD[7:0]; DQM1 corresponds to MD[15:8]; DQM2 corresponds to MD[23:16]; DQM3 corresponds to MD[31:24].
OE# CKE	73	O	EDO DRAM: Output Enable. SDRAM: Clock Enable. CKE activates the SMCLK signal. The SDRAM enters precharge power-down to deactivate the input and output buffers, excluding CKE, for maximum power saving when CKE is LOW coincident with a NOP.
WE#	74	O	EDO DRAM: Write Enable. SDRAM: Command Input. SRAS#, SCAS#, and WE# (along with CS#) define the command being entered.
SRAS#	72	O	EDO DRAM: Not used. SDRAM: Command Input. SRAS#, SCAS#, and WE# (along with CS#) define the command being entered.
SCAS#	70	O	EDO DRAM: Not used. SDRAM: Command Input. SRAS#, SCAS#, and WE# (along with CS#) define the command being entered.
BA	66	O	EDO DRAM: Not used. SDRAM: Bank Address Input. BA defines to which internal bank the ACTIVE, READ, WRITE or PRECHARGE command is being applied. BA is also used to program the 12th bit of the Mode Register.
SMCLK	68	O	EDO DRAM: Not used. SDRAM: Clock.

Input Video Interface (19 pins)

Pin Name	Pin Number	Type	Description
----------	------------	------	-------------



Y[7:0]	146-139	I	Digital Y (Luminance) Inputs in 16-bit Mode, or Digital YUV Inputs in 8-bit Mode.
UV[7:0]	137-130	IU	Digital UV (Chrominance) Inputs in 16-bit Mode, or Not Used in 8-bit Mode.
HS	148	I	Horizontal Sync. Input. Programmable polarity.
VS	147	I	Vertical Sync Input. Programmable polarity.
VICLK	149	I	Input Video Clock.

Output Video Interface (20 pins)

Pin Name	Pin Number	Type	Description
CP2 C B	163	O	Composite Video Mode: Composite Video Output. S-Video + Composite Video Mode: Chrominance Output. RGB Output Mode: Blue Video Output.
CP1 Y G	164	O	Composite Video Mode: Composite Video Output. S-Video + Composite Video Mode: Luminance Output. RGB Output Mode: Green Video Output.
CP0 R	165	O	Composite Video Mode: Composite Video Output. S-Video + Composite Video Mode: Composite Video Output. RGB Output Mode: Red Video Output.
P[7:0]	151-154, 157-160	B	8-bit YCbCr Mode: Digital YCbCr Video Output Data. 8-bit RGB Mode: Digital RGB Video Output Data.
PCLK	161	TS	8-bit YCbCr Mode: 2× Pixel Clock Output. 8-bit RGB Mode: $\frac{2}{3}$ × Pixel Clock Output.
HSYNC	155	TS	Horizontal Sync.

VSYNC	156	TS	Vertical Sync.
DEM	128	B	Data Enable control signal for LCD interface.
VREF	166	A	Voltage Reference. A 0.1uF bypass capacitor should always be connected between this pin and TVAVDD, with short leads and in close proximity to the device pins.
RSET	167	A	Reference Resistor. A resistor should be connected from this pin to TVAVSS to control the full-scale current value.
EXTVREF	168	A	External VREF Mode: External Voltage Reference (analog input). An external voltage reference must supply this pin with a 1.235 V (typical) reference. A 0.1uF bypass capacitor should always be connected between this pin and TVAVDD. Internal VREF Mode: A 0.1uF bypass capacitor should always be connected between this pin and TVAVDD.
COMP	170	A	Compensation Pin. A 0.1uF bypass capacitor should always be connected between this pin and TVAVDD, with short leads and in close proximity to the device pins.
VOCLK	182	I	Output Video Clock. A stable 27 MHz reference clock input.

ISA-like Bus Interface and GPIO Ports (29 pins)

Pin Name	Pin Number	Type	Description
SD[7:0]	181-178, 176-174, 172	B	Data Bus. ISA-like data bus to interface with the Audio Processor.
SA[12:0]	198-192, 190, 189, 187, 186, 184, 183	B	Address Bus. They are output pins in normal operation (PWON_14-12 = 111), while serve as address inputs when in the Internal RAM/ROM Test mode (PWON_14-12 ≠ 111).
SWR#	201	B	I/O Write. It is output pin in normal operation (PWON_14-12 = 111), while serves as write input when in the Internal RAM/ROM Test mode (PWON_14-12 ≠ 111).
SRD#	200	B	I/O Read. It is output pin in normal operation (PWON_14-12 = 111), while serves as read input when in the Internal RAM/ROM Test mode (PWON_14-12 ≠ 111).
EINT#	199	IU	Interrupt Request Input.



GPIO[4:0]	122-125, 127	B	General Purpose Input/Out Ports. With internal pull-up resistor.
-----------	--------------	---	--

Clock Interface (2 pins)

Pin Name	Pin Number	Type	Description
VOCLK/2	205	TS	VOCLK By 2. A Stable 13.5 MHz clock output.
MCLK	204	IU	External MCLK Mode: Main Clock Input. Internal MCLK Mode: Not used.

Power and Ground (35 pins)

Pin Name	Pin Number	Type	Description
VDDB	6, 30, 61, 82, 99, 114, 138, 188	P	Buffer Power Supply. Provides isolated power to the input and output buffers for improved noise immunity. +3.3 V \pm 0.3 V.
VDD5V	105, 173	P	5V Buffer Power Supply. Provides 5V power to the input and output buffers for 5V input tolerance. +5.0 V \pm 0.25 V.
VSSB	3, 27, 43, 58, 67, 77, 90, 101, 108, 121, 150, 177, 191	G	Buffer Ground.
VDDI	21, 71, 126, 162	P	Core Power Supply. +3.3 V \pm 0.3 V.
VSSI	24, 69, 129, 185	G	Core Ground.
DACAVDD	171	P	DAC Analog Power Supply. Provides isolated power to the DAC analog ckts for improved noise immunity. +3.3 V \pm 0.3 V.
DACAVSS	169	G	DAC Analog Ground.
PLLAVDD	202	P	PLL Analog Power Supply. Provides isolated power to the PLL analog ckts for improved noise immunity. +3.3 V \pm 0.3 V.
PLLAVSS	203	G	PLL Analog Ground.

4.2 Pin List

Table 4.1 W9961CF Pin List

Number	Name	Type	Pull-up	I _{OH} (mA)	I _{OL} (mA)	Load (pf)
1	AD31	B		-3	8	50
2	AD30	B		-3	8	50
3	VSSB	G				
4	AD29	B		-3	8	50
5	AD28	B		-3	8	50
6	VDDDB	P				
7	AD27	B		-3	8	50
8	AD26	B		-3	8	50
9	AD25	B		-3	8	50
10	AD24	B		-3	8	50
11	C/BE3#	I				
12	IDSEL	I				
13	AD23	B		-3	8	50
14	AD22	B		-3	8	50
15	AD21	B		-3	8	50
16	AD20	B		-3	8	50
17	AD19	B		-3	8	50
18	AD18	B		-3	8	50
19	AD17	B		-3	8	50
20	AD16	B		-3	8	50
21	VDDI	P				
22	C/BE2#	I				
23	FRAME#	I				
24	VSSI	G				
25	IRDY#	I				
26	TRDY#	STS		-3	8	50
27	VSSB	G				
28	DEVSEL#	STS		-3	8	50
29	STOP#	STS		-3	8	50
30	VDDDB	P				
31	PEER#	STS		-3	8	50
32	SERR#	TS		-2	4	50
33	PAR	TS		-3	8	50
34	C/BE1#	I				
35	AD15	B		-3	8	50
36	AD14	B		-3	8	50
37	AD13	B		-3	8	50

W9961CF



38	AD12	B		-3	8	50
39	AD11	B		-3	8	50
40	AD10	B		-3	8	50
41	AD9	B		-3	8	50
42	AD8	B		-3	8	50
43	VSSB	G				
44	C/BE0#	I				
45	AD7	B		-3	8	50
46	AD6	B		-3	8	50
47	AD5	B		-3	8	50
48	AD4	B		-3	8	50
49	AD3	B		-3	8	50
50	AD2	B		-3	8	50
51	AD1	B		-3	8	50
52	AD0	B		-3	8	50
53	MA0	O		-3	8	50
54	MA1	O		-3	8	50
55	MA2	O		-3	8	50
56	MA3	O		-3	8	50
57	MA4	O		-3	8	50
58	VSSB	G				
59	MA5	O		-3	8	50
60	MA6	O		-3	8	50
61	VDDB	P				
62	MA7	O		-3	8	50
63	MA8	O		-3	8	50
64	MA9	O		-3	8	50
65	MA10	O		-3	8	50
66	BA	O		-3	8	50
67	VSSB	G				
68	SMCLK	O		-6	16	50
69	VSSI	G				
70	SCAS#	O		-3	8	50
71	VDDI	P				
72	SRAS#	O		-3	8	50
73	OE#/CKE	O		-3	8	50
74	WE#	O		-3	8	50
75	CAS0#/DQM0	O		-3	8	50
76	CAS1#/DQM1	O		-3	8	50
77	VSSB	G				
78	RAS0#/CS0	O		-3	8	50
79	MD0	B	√	-3	8	50

W9961CF



80	MD1	B	√	-3	8	50
81	MD2	B	√	-3	8	50
82	Vddb	P				
83	MD3	B	√	-3	8	50
84	MD4	B	√	-3	8	50
85	MD5	B	√	-3	8	50
86	MD6	B	√	-3	8	50
87	MD7	B	√	-3	8	50
88	MD8	B	√	-3	8	50
89	MD9	B	√	-3	8	50
90	VSSB	G				
91	MD10	B	√	-3	8	50
92	MD11	B	√	-3	8	50
93	MD12	B	√	-3	8	50
94	MD13	B	√	-3	8	50
95	MD14	B	√	-3	8	50
96	MD15	B	√	-3	8	50
97	CAS2#/DQM2	O		-3	8	50
98	CAS3#/DQM3	O		-3	8	50
99	Vddb	P				
100	RAS1#/CS1	O		-3	8	50
101	VSSB	G				
102	MD16	B		-3	8	50
103	MD17	B		-3	8	50
104	MD18	B		-3	8	50
105	VDD5V	P				
106	MD19	B		-3	8	50
107	MD20	B		-3	8	50
108	VSSB	G				
109	MD21	B		-3	8	50
110	MD22	B		-3	8	50
111	MD23	B		-3	8	50
112	MD24	B		-3	8	50
113	MD25	B		-3	8	50
114	Vddb	P				
115	MD26	B		-3	8	50
116	MD27	B		-3	8	50
117	MD28	B		-3	8	50
118	MD29	B		-3	8	50
119	MD30	B		-3	8	50
120	MD31	B		-3	8	50
121	VSSB	G				

W9961CF



122	GPIO0	B	√	-2	4	25
123	GPIO1	B	√	-2	4	25
124	GPIO2	B	√	-2	4	25
125	GPIO3	B	√	-2	4	25
126	VDDI	P				
127	GPIO4	B	√	-2	4	25
128	DEM	B		-3	8	50
129	VSSI	G				
130	UV0	IU	√			
131	UV1	IU	√			
132	UV2	IU	√			
133	UV3	IU	√			
134	UV4	IU	√			
135	UV5	IU	√			
136	UV6	IU	√			
137	UV7	IU	√			
138	Vddb	P				
139	Y0	I				
140	Y1	I				
141	Y2	I				
142	Y3	I				
143	Y4	I				
144	Y5	I				
145	Y6	I				
146	Y7	I				
147	VS	I				
148	HS	I				
149	VICLK	I				
150	VSSB	G				
151	P0	B		-3	8	50
152	P1	B		-3	8	50
153	P2	B		-3	8	50
154	P3	B		-3	8	50
155	HSYNC	TS		-3	8	50
156	VSYNC	TS		-3	8	50
157	P4	B		-3	8	50
158	P5	B		-3	8	50
159	P6	B		-3	8	50
160	P7	B		-3	8	50
161	PCLK	TS		-3	8	50
162	VDDI	P				
163	CP2/C/B	O				
164	CP1/Y/G	O				

W9961CF



165	CP0/R	O				
166	VREF	A				
167	RSET	A				
168	EXTVREF	A				
169	DACAVSS	G				
170	COMP	A				
171	DACAVDD	P				
172	SD0	B		-2	4	25
173	VDD5V	P				
174	SD1	B		-2	4	25
175	SD2	B		-2	4	25
176	SD3	B		-2	4	25
177	VSSB	G				
178	SD4	B		-2	4	25
179	SD5	B		-2	4	25
180	SD6	B		-2	4	25
181	SD7	B		-2	4	25
182	VOCLK	I				
183	SA0	B		-2	4	25
184	SA1	B		-2	4	25
185	VSSI	G				
186	SA2	B		-2	4	25
187	SA3	B		-2	4	25
188	VDDB	P				
189	SA4	B		-2	4	25
190	SA5	B		-2	4	25
191	VSSB	G				
192	SA6	B		-2	4	25
193	SA7	B		-2	4	25
194	SA8	B		-2	4	25
195	SA9	B		-2	4	25
196	SA10	B		-2	4	25
197	SA11	B		-2	4	25
198	SA12	B		-2	4	25
199	EINT#	IU	√			
200	SRD#	B		-2	4	25
201	SWR#	B		-2	4	25
202	PLLAVDD	P				
203	PLLAVSS	G				
204	MCLK	IU	√			
205	VOCLK/2	TS		-3	8	30
206	INTA#	TS		-3	8	30
207	RST#	I				
208	PCICLK	I				



4.3 Power On Reset Initialization

During system reset and power up, state of the memory data lines MD[15:0] are latched into the W9961CF's internal configuration registers as video subsystem configuration information. Since each MD[15:0] pin is internally pulled up on their I/O buffers, no external pull-up resistor is required. A 4.7K ohm resistor to ground is recommended for pull-down. Table 4.2 shows the system power on reset configuration definitions. 1 is the default value for each bit.

Table 4.2 W9961CF Power On Reset Definitions

MD Bit(s)	Definition	Value	Function	Control Reg.
MD[0]	Video Memory Type	0	EDO DRAM	PWON_0
		1	SDRAM	
MD[1]	DRAM Size	0	256Kx16/32 DRAM	PWON_1
		1	1Mx16 DRAM	
MD[3:2]	Analog Video Output Mode	0X	RGB Out, TV encoder is off	PWON_3-2
		10	Composite Video	
		11	S-Video + Composite Video	
MD[5:4]	TV System	00	Reserved	PWON_5-4
		01	PAL-M	
		10	PAL-B, D, G, H, N	
		11	NTSC	
MD[6]	CP2/C/B DAC Control	0	OFF	PWON_6
		1	ON	
MD[7]	CP1/Y/G DAC Control	0	OFF	PWON_7
		1	ON	
MD[8]	CP0/R DAC Control	0	OFF	PWON_8
		1	ON	
MD[9]	VREF Control	0	External VREF	PWON_9
		1	Internal VREF	
MD[10]	Input Video Mode	0	8-bit Mode	PWON_10
		1	16-bit Mode	
MD[11]	Internal MCLK Select	0	From External MCLK Pin	PWON_11
		1	From Internal PLL	
MD[14:12]	Test Mode	000	PM Test (5Kx22 bits)	PWON_14-12
		001	DM Test (1Kx16 bits)	
		010	Reserved	



		011	Palette RAM Test (256×18 bits)	
		100	DTO ROM Test (256×16 bits)	
		101	DAC Test	
		110	Reserved	
		111	Normal Operation	
MD[15]	Digital Video Output Mode	0	8-bit YCbCr	PWON_15
		1	8-bit RGB	

Note 1. PM, DM, palette RAM, and DTO ROM are tested through a 13-bit address bus, 22-bit data bus, and read/write signals depicted in the following:

Test Mode	Address	Data	Read	Write
PM (5K×22)	SA[12:0]	P[7:0], DEM, GPIO[4:0], SD[7:0]	SRD#	SWR#
DM (1K×16)	SA[9:0]	P[1:0], DEM, GPIO[4:0], SD[7:0]	SRD#	SWR#
Palette RAM (256×18)	SA[7:0]	P[3:0], DEM, GPIO[4:0], SD[7:0]	SRD#	SWR#
DTO ROM (256×16)	SA[7:0]	P[1:0], DEM, GPIO[4:0], SD[7:0]	SRD#	

Note 2. For DAC test, the external SA[8:0] pins are copied and sent directly to the inputs of CP2/C/B, CP1/Y/G, and CP0/R DACs to control the DAC output.

SA[8:0] 9-bit input data for DAC test
 VOCLK 2× clock for DAC output

5 SYSTEM DIAGRAM

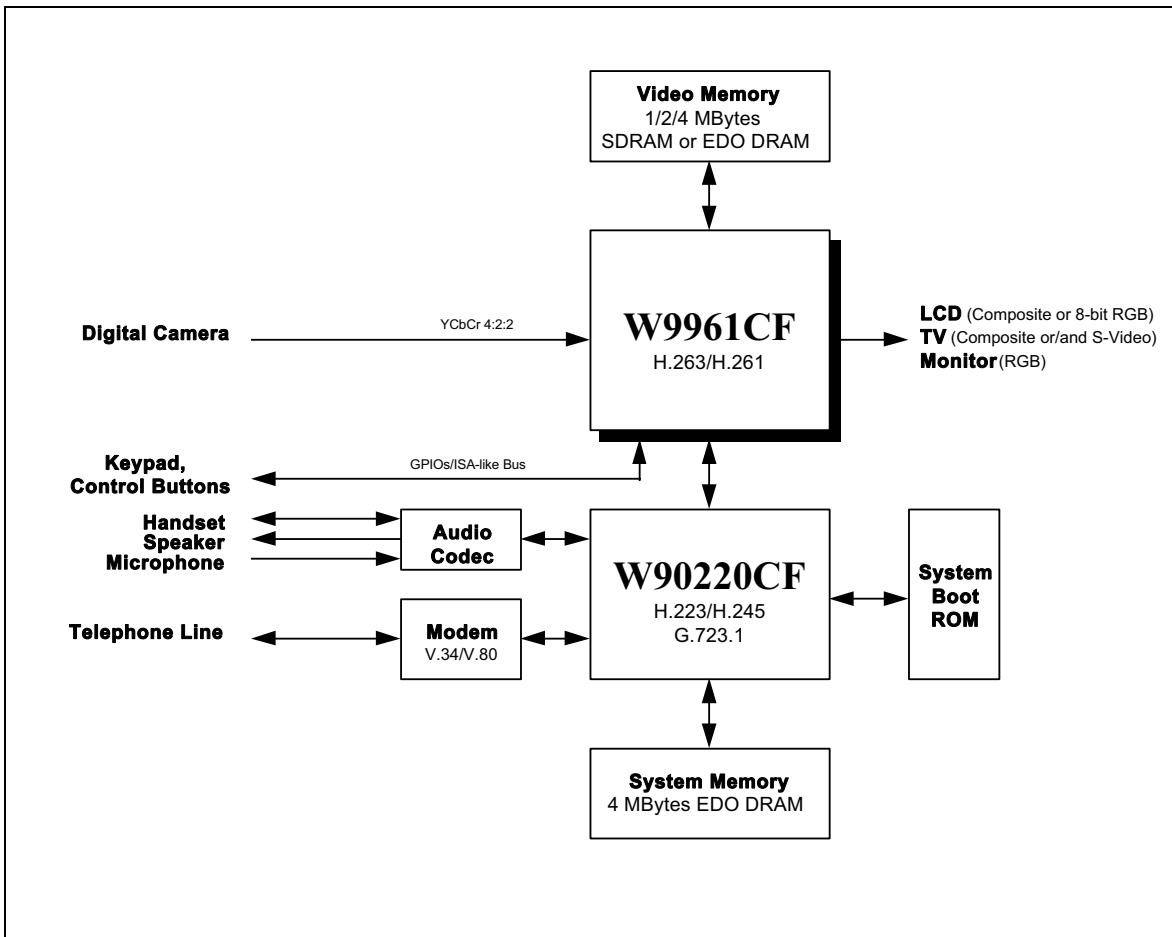


Figure 5.1 W9961CF-Based Stand-alone Videophone System Diagram



Figure 5.1 shows an example system diagram for an H.324-compliant stand-alone videophone.

For live video input, a digital camera, or an NTSC/PAL camera connected to a TV decoder, is fed into the W9961CF in YCbCr 4:2:2 format through 16- or 8-bit data bus. The input video is cropped and scaled to sub-QCIF, QCIF, or CIF format as the local view video. The W9961CF compresses the local view video according to H.263 for H.324 (or H.261 for H.320) and the resultant compressed video stream is transferred and multiplexed with compressed audio stream by the W90220CF. Then the W90220CF performs multiplex/control according to H.223/H.245 for H.324 (or H.221/H.242/H.230 for H.320) and transmits the bit stream to the PSTN through V.34/V.80 modem for H.324 (or ISDN network for H.320).

For the receipt of combined video/audio from the remote end, the H.324-compliant (or H.320-compliant) bit stream enters the system through a V.34/V.80 modem for H.324 (or ISDN circuit for H.320), where the W90220CF performs demultiplex/control and separates the stream into two compressed streams. The W9961CF decompresses the video stream according to H.263 for H.324 (or H.261 for H.320) and produces the remote view video. The decompressed remote view video and/or the local view video can be overlaid with graphical background or on-screen-display (OSD) and output to LCD (in NTSC/PAL composite video or RGB format), TV (in NTSC/PAL composite video or S-Video format), or monitor (in RGB format). The W9961CF can also perform post deblocking filtering to reduce artifacts caused by compression/decompression for the remote view video, and the local view video can be mirrored or unmirrored.

For audio processing, the near-end audio is compressed and the remote-end audio stream is decompressed by the W90220CF according to G.723.1 for H.324 (or G.711/G.722/G.728 for H.320). The W90220CF also performs Acoustical Echo Cancellation (AEC) between the speaker and microphone to prevent howling. A/D conversion for microphone or handset transmitter input, and D/A conversion to drive the speaker and/or handset receiver are performed by the Audio Codec.

6 BLOCK DIAGRAM

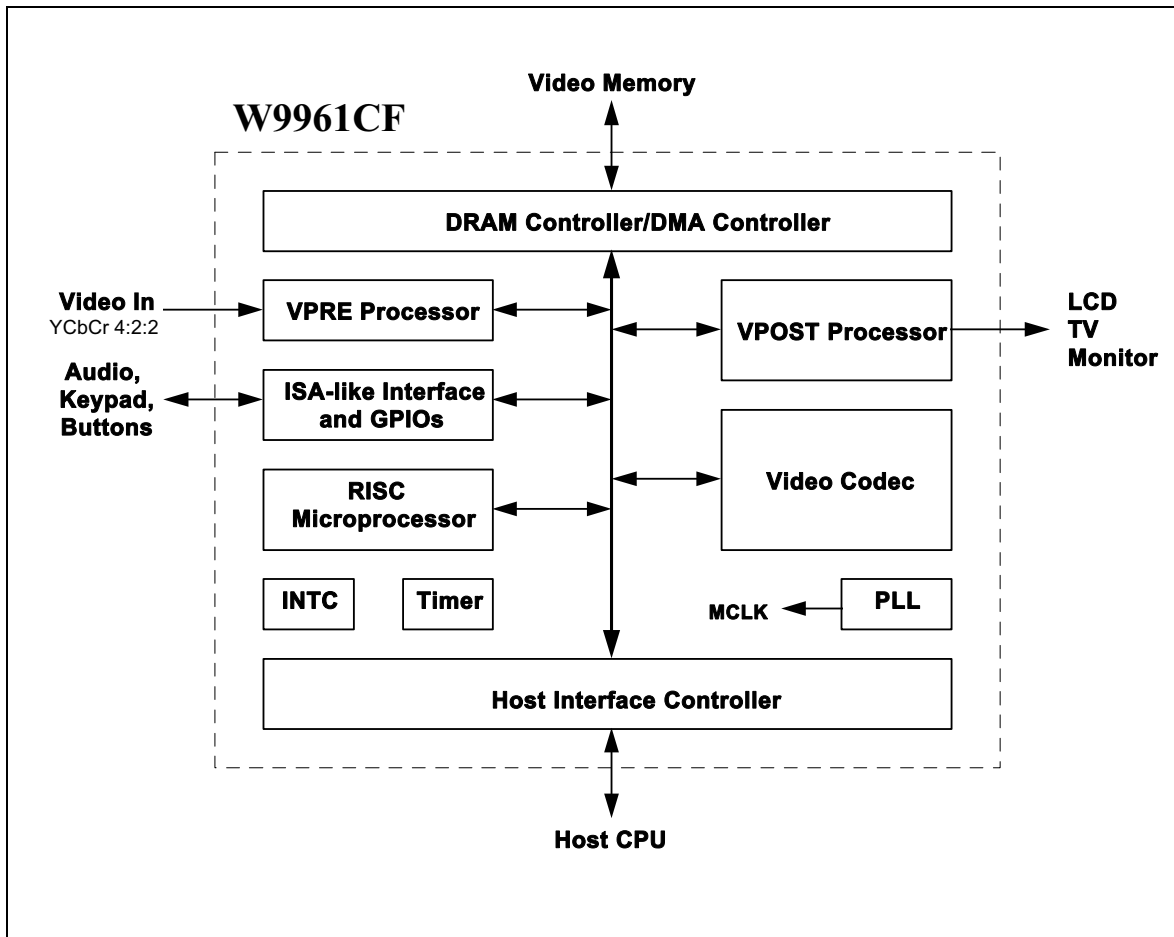


Figure 6.1 W9961CF Block Diagram

The block diagram for the W9961CF is shown in Figure 6.1. Please refer to next chapter for detailed functional description.

7 FUNCTIONAL DESCRIPTION

7.1 VPRE Processor

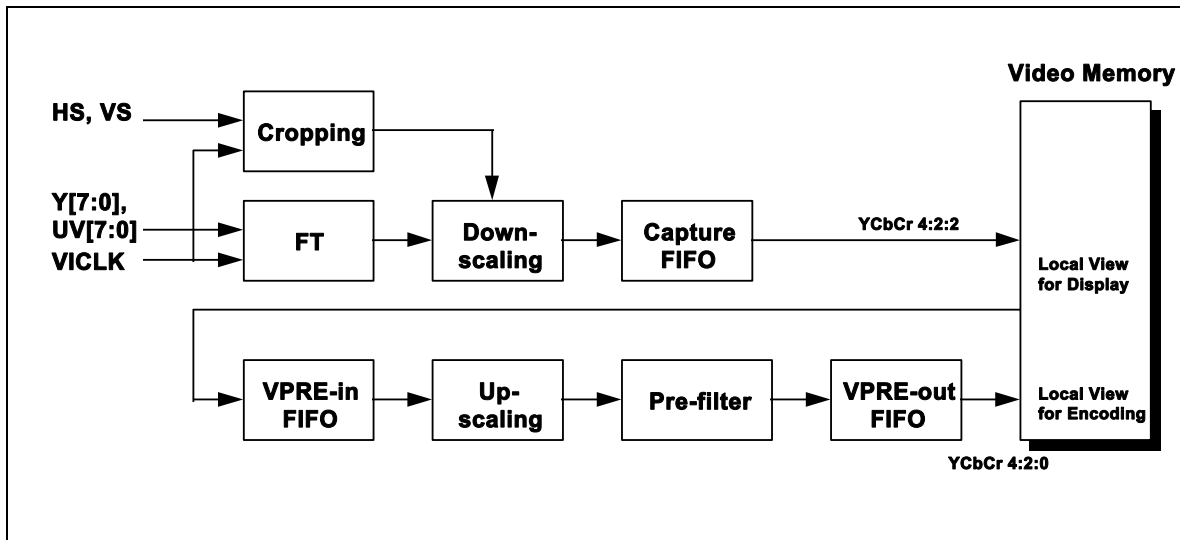


Figure 7.1 VPRE Processor Block Diagram

The VPRE processor generates two video streams from the input video: the local view video for display and the local view video for encoding.

The input video is cropped, down-scaled, and stored into the video memory as the local view video for display that is real-time at 30 fps. Built-in cropping window control and arbitrary down-scaling in both the horizontal and vertical directions can serve as the digital pan and zoom over a user-specified region for camera control.

The local view video for encoding is generated from the local view video for display through the pre-filter and/or up-scaling. Up-scaling is needed to vertically up-scale a 240-line video to a 288-line video when encoding in CIF format by using an NTSC camera. Pre-filter is an adaptive 3×3 low-pass filter which can detect noise induced from the video input device and remove it. Since H.263/H.261 uses motion estimation and DCT for compression, the coding efficiency can be improved significantly by using the pre-filtered video whose most noise is removed.

7.2 Video Codec

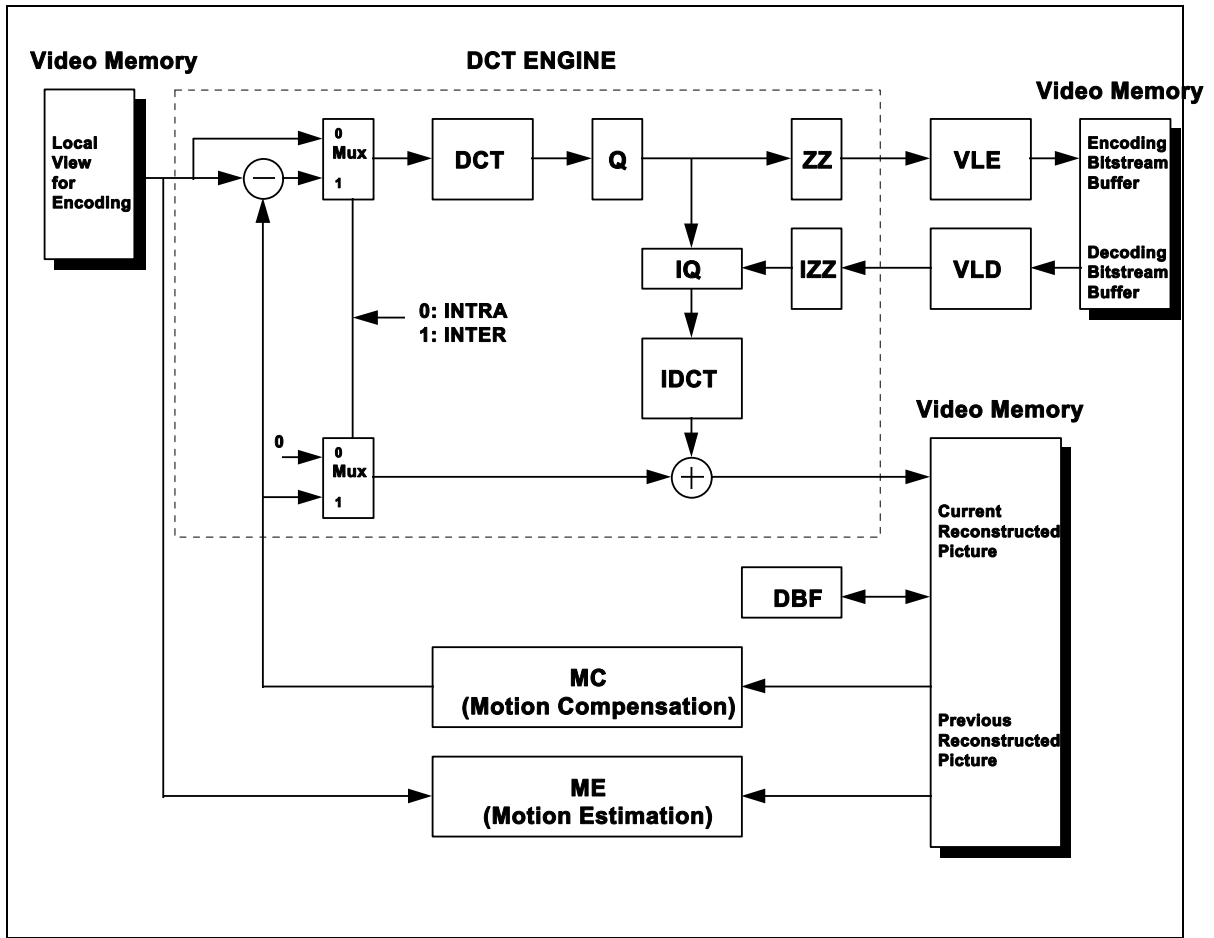


Figure 7.2 Video Codec Block Diagram

7.2.1 Video Coding

The coding mode in which temporal prediction is applied is called INTER; the coding mode is called INTRA if no temporal prediction is applied. The W9961CF supports both INTRA and INTER coding modes. The INTRA coding mode can be signaled at the picture level (INTRA for I-pictures or INTER for P-pictures) or at the macroblock level in P-pictures.

7.2.1.1 I-pictures INTRA Coding

I-pictures require no motion estimation or compensation. Each macroblock is DCT transformed at first. DCT coefficients are quantized (Q), zig-zag scanned (ZZ), variable-length encoder (VLE) coded, and stored into the video memory. Within each macroblock, processing is performed on 8×8 blocks.



The quantized blocks are also inverse quantized (IQ) and transformed into the spatial domain by an inverse DCT (IDCT). This operation yields a copy of the encoded picture as it will be seen by the decoder. That copy is then stored into the video memory and will be used for future predictive coding. Since the VLE operation is lossless, there is no need to include the VLE unit in the feedback path.

7.2.1.2 P-pictures INTER Coding

P-pictures macroblocks may be coded by INTRA or INTER coding mode. For each macroblock in the current P-picture, the motion estimation is performed on the luminance (Y) macroblock. A full search or fast search is made with integer pixel displacement in the Y component at first. The comparisons are made between the incoming macroblock and the displaced macroblock in the previous reconstructed picture. The encoder makes a decision on whether to use INTRA or INTER prediction in the coding after the integer pixel motion estimation. If INTRA mode is chosen, no further operation is necessary for the motion search. We will describe P-picture INTRA coding in the following section 7.2.1.3.

If INTER mode is chosen the motion search continues with half-pixel search around the integer pixel motion vector, MVO, position. After the half-pixel search, the best match motion vector is coded using a variable-length encoder (VLE), and stored into the video memory. Motion vector is included for all INTER macroblocks and consists of horizontal and vertical components, both measured in half pixel units.

P-pictures INTER coding does not code the picture macroblocks directly. Instead it codes the prediction errors. For each INTER coding macroblock in the current picture, the best match macroblock in the previous reconstructed picture is loaded into the MC and half-pixel motion compensation is performed according to the motion vector. After half-pixel motion compensation, the two macroblocks are subtracted to produce prediction errors (their difference) which will be DCT transformed. DCT coefficients are quantized, zig-zag scanned, coded using a variable-length encoder, and stored into the video memory. The quantized blocks are also inverse quantized and transformed into the spatial domain by an inverse DCT. The IDCT results and the previous reconstructed blocks are added and stored into the video memory as the current reconstructed picture for future predictive coding.

7.2.1.3 P-pictures INTRA Coding

If INTRA mode is chosen for current P-pictures macroblock, no further half-pixel motion search is performed and no motion vector is coded. Each INTRA macroblock is coded as that for I-pictures INTRA coding.

7.2.2 Video Decoding

Video decoding operation is very similar to the feedback loop of the video coding. After optional error correction, the compressed bit stream is processed by the variable length decoder (VLD). The decoded data are parsed, inverse zig-zag scanned (IZZ), and then processed by an inverse quantizer and an inverse DCT. Depending on the transmission mode (INTRA or INTER), macroblocks from the previous reconstructed picture may also be added to the current data to form the reconstructed picture.

For each INTRA-coded macroblock of I-pictures or P-pictures, no motion compensation is performed. The IDCT results are stored into the video memory as reconstructed picture.



For each INTER-coded macroblock of P-pictures, the macroblock pointed to by the motion vector in the previous reconstructed picture is loaded into the MC and half-pixel motion compensation is performed according to the motion vector. The half-pixel motion compensated results and the IDCT results are added and then stored into the video memory as reconstructed picture.

7.3 VPOST Processor

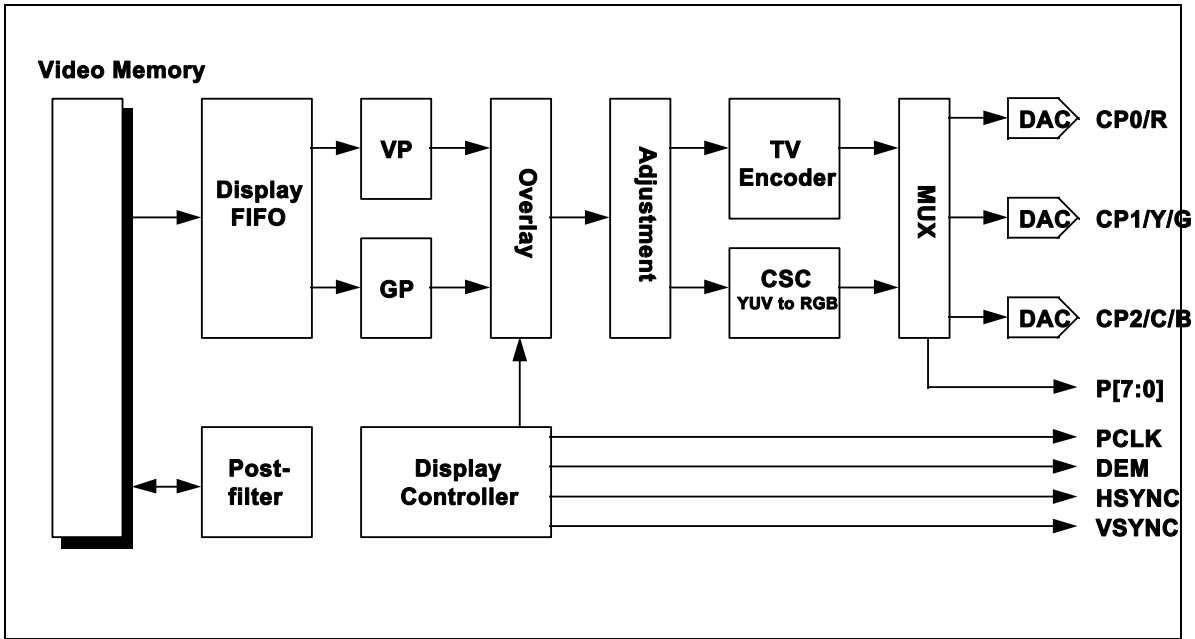


Figure 7.3 VPOST Processor Block Diagram

The VPOST processor performs three main functions: video post-processing, display control, and video output control.

7.3.1 Video Post-processing

Video post-processing includes post-filter and video processor (VP). The post-filter is performed on the luminance component and is used to reduce blocking artifacts and mosquito noise, and also for edge enhancement of the decoded remote view video. A 5x3 block classified filter (BCF) is implemented to calculate local mean and local variance of the processed pixel at first. Depending on the local mean and local variance the processed pixel is classified as low-variance, middle-variance, or high-variance pixel. For low-variance pixels, a low-pass filter is applied to remove the blocking artifacts. For middle-variance pixels, the local mean is used in stead to remove the mosquito noise. Edge enhancement is performed for the high-variance pixels.

Video processor is used to up-scale or down-scale the video for display. Both local view and remote view video can be arbitrarily up-scaled up to full-screen size, or down-scaled to 1/2 of its original size, horizontally and/or vertically. Either the local view video or remote view video can be up-scaled by using two-dimensional bilinear interpolation for better video quality. 1/2 down-scaling can be used in



picture-in-picture display where the local view video may be in CIF format for encoding and in QCIF format for display.

7.3.2 Display Control

Display Control includes display controller, graphics processor (GP), and overlay function. The display controller generates horizontal and vertical timings for display.

The graphics processor accesses the background data and on-screen-display data from the video memory, and converts it to YCbCr format for overlaying with the video data. The graphics data can be in 16-color, 256-color, or 565 high-color format, where a built-in color look-up-table (LUT) is used to transform the pseudo color data (16- and 256-color modes) to true color data. An advanced two-dimensional 3-line flicker-free filter is also incorporated to eliminate the annoying artifacts induced by graphics lines on interlaced TV. The flicker-free filter takes effect on the original RGB data.

Background and on-screen-display graphics data, after processed by the graphics processor, are overlaid with the video data by using window key and color key. For example, a typical three-window display is shown in Figure 7.4.

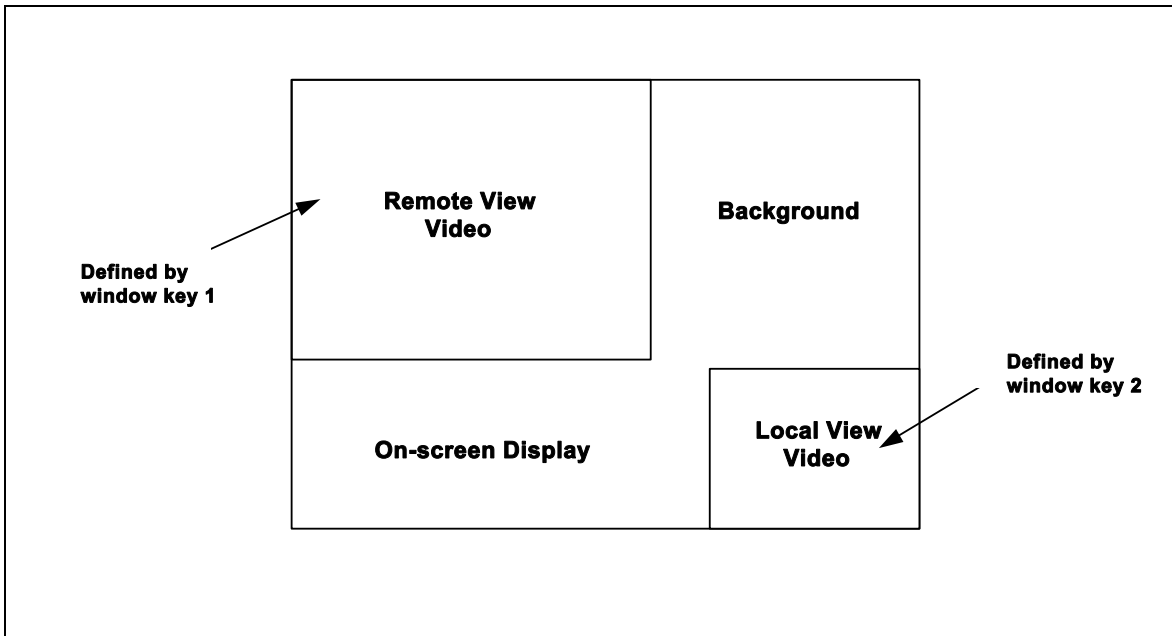


Figure 7.4 Typical Three-window Display for Video Conferencing Applications

7.3.3 Video Output Control

The VPOST incorporates a TV encoder, color space conversion (CSC), and three 9-bit DACs for direct interface with TV, LCD, and CRT monitor. Before the TV encoder block, an adjustment block is used for adjusting hue, saturation, contrast, and brightness.

7.3.3.1 Hue, Saturation, Contrast, and Brightness Adjustments



Figure 7.5 illustrates a typical circuit for enabling adjustment of contrast and brightness for Y component, and hue and saturation for CbCr components. The brightness is adjusted after the contrast adjustment to avoid introducing a varying DC offset due to adjusting the contrast. Hue adjustment is implemented by mixing the Cb and Cr data:

$$Cb' = Cb \cos \theta + Cr \sin \theta$$

$$Cr' = Cr \cos \theta - Cb \sin \theta$$

where θ is the desired hue angle. An 11-bit hue adjustment value is used to allow adjustments from 0° to 360° , in increments of 0.176° .

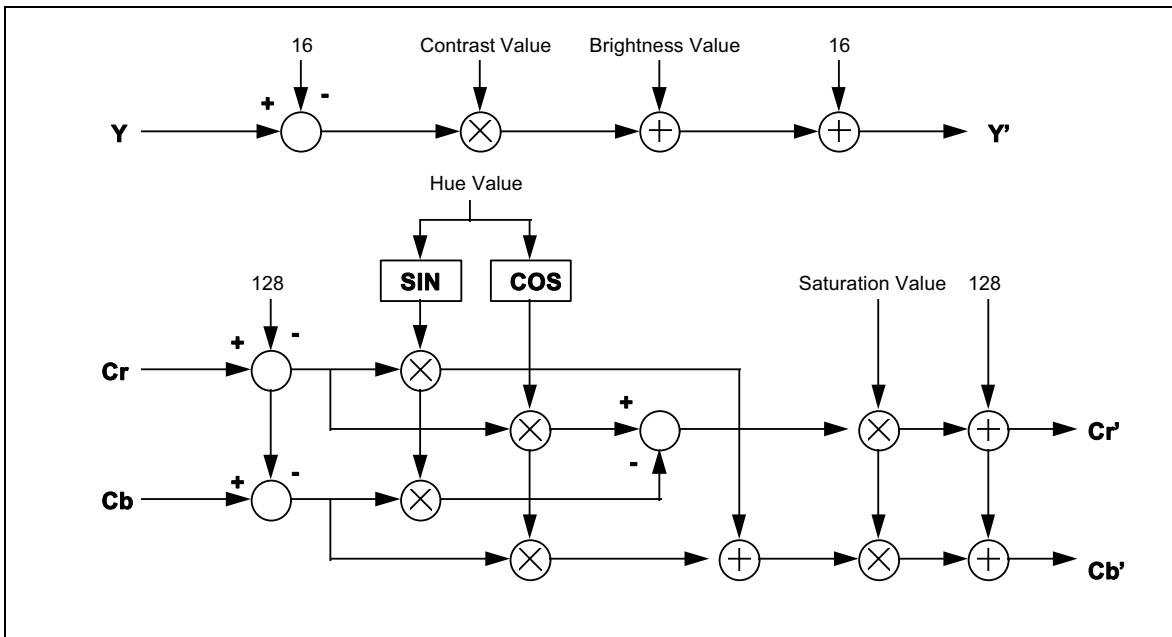


Figure 7.5 Hue, Saturation, Contrast, and Brightness Controls

7.3.3.2 Video Output Interface

The built-in TV encoder supports worldwide video standards, including NTSC, PAL-B, D, G, H, N, and PAL-M. The W9961CF supports two digital video output modes (8-bit YCbCr and 8-bit RGB) and three analog video output modes (RGB, Composite, and S-Video + Composite) as shown in Table 7.1. Up to one digital video and one analog video can be output simultaneously. Table 7.2 shows pinout definitions of the video output interface.

Table 7.1 W9961CF Video Output Modes

PWON_15	PWON_3-2	Digital Video Output Mode	Analog Video Output Mode
0	0X	8-bit YCbCr	RGB
0	10	8-bit YCbCr	Composite
0	11	8-bit YCbCr	S-Video + Composite

W9961CF



1	0X	8-bit RGB	RGB
1	10	8-bit RGB	Composite
1	11	8-bit RGB	S-Video + Composite



Table 7.2 W9961CF Video Output Interface Pin Assignment

PWON_15, 3-2	00X	010	011	10X	110	111
Pin 171	PCLK	PCLK	PCLK	PCLK	PCLK	PCLK
Pin 170	YCbCr7	YCbCr7	YCbCr7	RGB7	RGB7	RGB7
Pin 168	YCbCr6	YCbCr6	YCbCr6	RGB6	RGB6	RGB6
Pin 167	YCbCr5	YCbCr5	YCbCr5	RGB5	RGB5	RGB5
Pin 157	YCbCr4	YCbCr4	YCbCr4	RGB4	RGB4	RGB4
Pin 154	YCbCr3	YCbCr3	YCbCr3	RGB3	RGB3	RGB3
Pin 153	YCbCr2	YCbCr2	YCbCr2	RGB2	RGB2	RGB2
Pin 152	YCbCr1	YCbCr1	YCbCr1	RGB1	RGB1	RGB1
Pin 151	YCbCr0	YCbCr0	YCbCr0	RGB0	RGB0	RGB0
Pin 156	VSYNC	VSYNC	VSYNC	VSYNC	VSYNC	VSYNC
Pin 155	HSYNC	HSYNC	HSYNC	HSYNC	HSYNC	HSYNC
Pin 128				DEM	DEM	DEM
Pin 160	R	CP0	CP0	R	CP0	CP0
Pin 159	G	CP1	Y	G	CP1	Y
Pin 158	B	CP2	C	B	CP2	C

Note 1. Analog video output signals (CP0/R, CP1/Y/G, and CP2/C/B) can be disabled by resetting PWON_8-6 to 000.

Note 2. Digital video output signals (PCLK, VSYNC, HSYNC, DEM, and P[7:0]) can be disabled by resetting VPOSTCR_1 to 0 to tri-state these signals.

Note 3. P[7:0] and DEM are re-defined for internal memory test and will not be tri-stated by VPOSTCR_1 when the chip is in test mode (PWON_14-12 ≠ 111).

Note 4. PCLK is derived from VOCLK as shown below:

$$f_{PCLK} = f_{VOCLK}, \text{ if in 8-bit YCbCr mode (PWON}_{15} = 0)$$

$$f_{PCLK} = \frac{DISCR_{15} - 8}{256} \times f_{VOCLK/2}, \text{ if in 8-bit RGB mode (PWON}_{15} = 1)$$

7.4 RISC Microprocessor

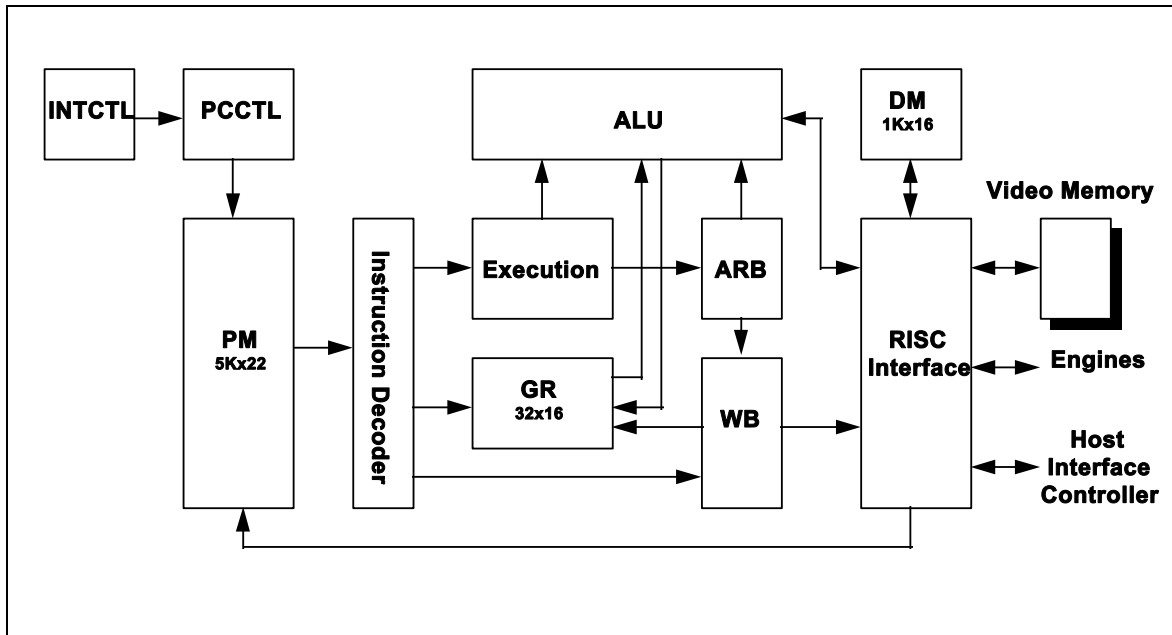


Figure 7.6 RISC Microprocessor Block Diagram

The RISC microprocessor provides the following:

- four-stage instruction pipeline
- 16-bit integer arithmetic logic unit (ALU)
- 5Kx22 bits program memory (PM)
- 1Kx16 bits data memory (DM)
- 32x16 bits three-port (2-read/1-write) register file

Figure 7.6 is the block diagram of the RISC microprocessor.

7.4.1 RISC Pipeline Stages

The RISC has a four-stage instruction pipeline; each stage takes one MCLK cycle. The four pipeline stages are:

- IF - Instruction Fetch
- DEC - Instruction Decoding
- EXE - Instruction Execution
- WB - Write Back



Once the pipeline has been filled, four instructions are executed simultaneously. The execution of each instruction takes at least four MCLK cycles. An instruction can take longer, for example, if the required data is not in the DM, register file, or engine registers, the data must be retrieved from the video memory.

7.4.2 Address Spaces

The internal RISC provides two address spaces:

- Program Memory (PM) Address Space
- Data Memory (DM) Address Space

7.4.2.1 Program Memory Address Space

The PM address is 13 bits wide, and data is 22 bits wide. The built-in PM size is 5K×22 bits. Figure 7.7 shows the PM address space. The RISC always starts from PM address 0000H after it is enabled.

7.4.2.2 Data Memory Address Space

The DM address space is used for RISC access to engine registers, internal DM, and external DRAM. All engine registers and internal DM can be accessed by the RISC by using the DM address space. All DRAM data (maximum 4 Mbytes), except the lower 1.5K words, can be accessed by the RISC. The lower 1.5K words DRAM data can not be accessed by the RISC because that the lower 1.5K DM address space is used for engine registers and internal DM accesses. Figure 7.8 shows the DM address space.

The DM address is 21 bits wide, and data is 16 bits wide. Table 7.3 shows the 21-bit DM address, which is composed of a 5-bit segment register (DMSA) and a 16-bit address indicated by the load or store instruction. The 5-bit segment register is a write-only register which can be programmed through the SEGS imm5 instruction.

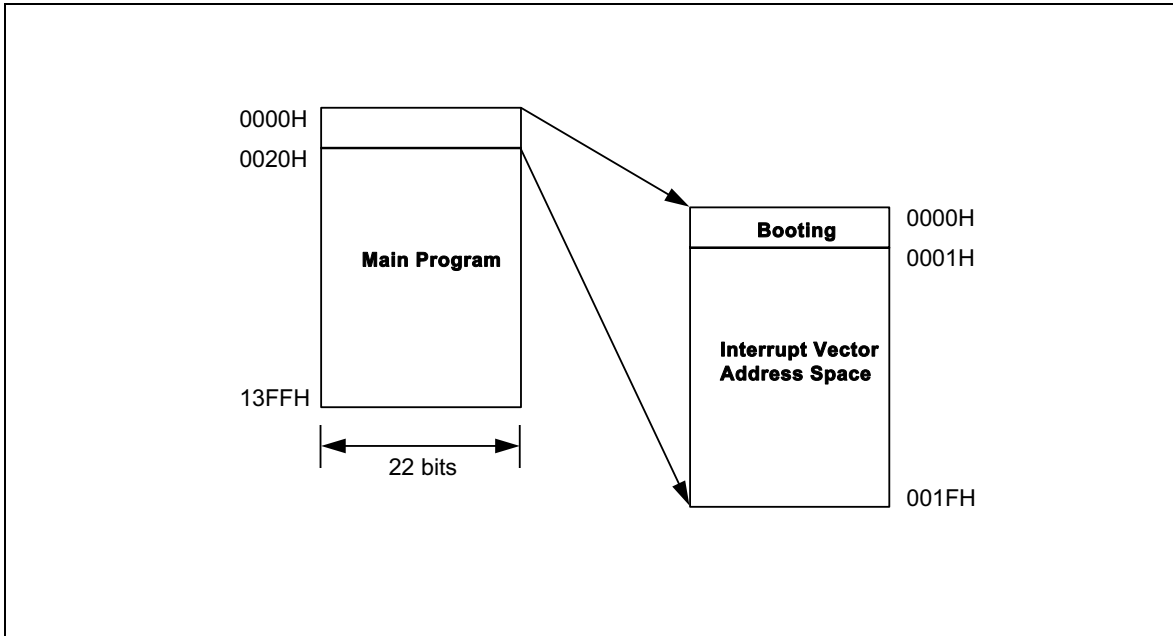


Figure 7.7 Program Memory Address Space

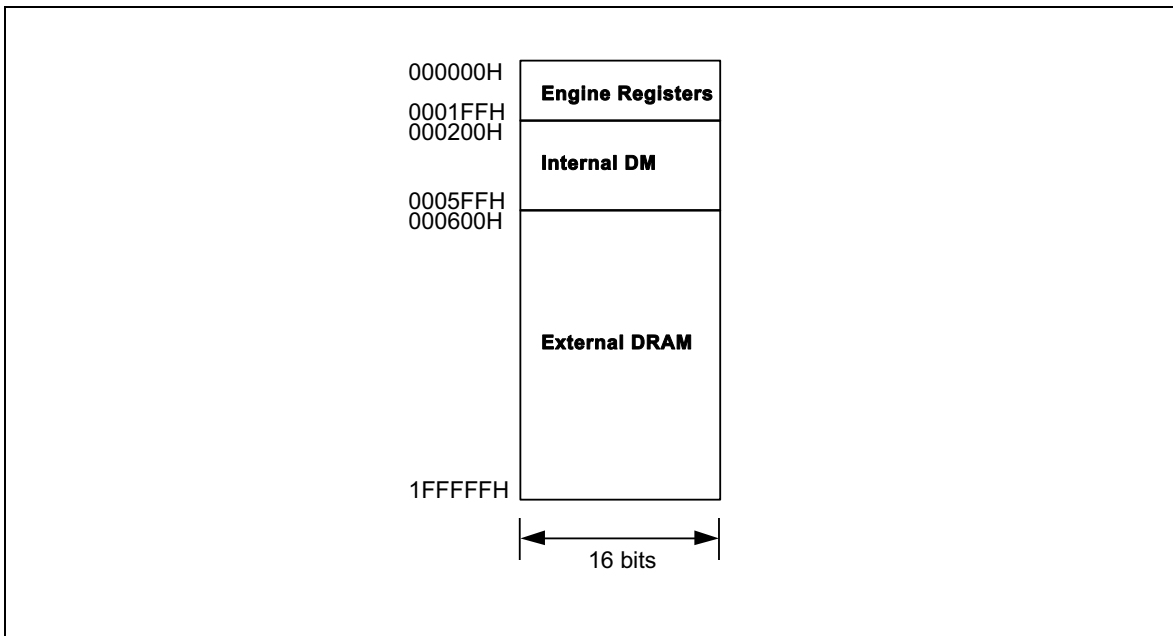


Figure 7.8 Data Memory Address Space

Table 7.3 Data Memory Address Mapping



20 16	15	0
DMSA[4:0]	16-bit DM address indicated by the load or store instruction	

7.4.3 RISC Registers

The internal RISC provides the following registers:

- 32 16-bit general purpose registers
- 2 registers that hold the results of integer multiply and add (MULA) and divide (DIV) operations
- 4 shadow registers that store current status at IF stage (PC0), DEC stage (IR0_L and IR0_H), and EXE stage (MPZ0) during a CALL procedure or an interrupt service.

7.4.3.1 General Registers

The 32 general purpose registers provide general resources for all computation. Figure 7.9 shows the 32 general registers (R0 ~ R31). R0 has assigned functions: when R0 is used as a source operand, it provides zero value, when R0 is used as the destination register, the result is discarded.

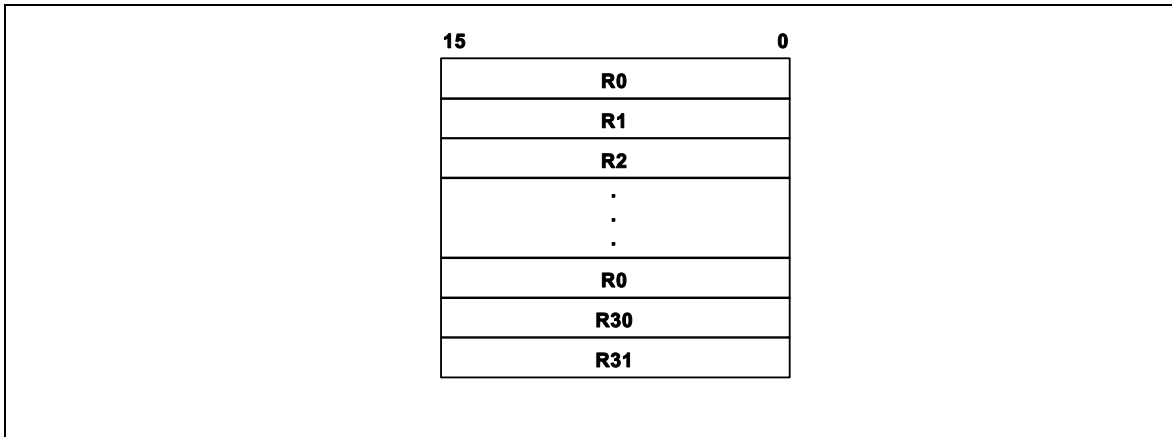


Figure 7.9 RISC General Registers

7.4.3.2 Shadow Registers

There are four shadow registers, PC0, IR0_L, IR0_H, and MPZ0, which store current status at pipeline stages to eliminate the state save and restore time in a CALL subroutine or an interrupt service. The behavior of the shadow registers is described below.

Before entering CALL subroutine or interrupt service: current status at IF/DEC/EXE pipeline stages are stored into shadow registers in one cycle.

When executing RET instruction: contents of shadow registers are restored at IF/DEC/EXE pipeline stages



Depth of the shadow registers is two, which enables a nested interrupt in a CALL subroutine.

7.4.4 RISC Interrupt Handling

There are 31 interrupt vectors stored on top of the PM, each points to the entry of an interrupt service routine. The first 15 interrupt vectors (0001H~00FH) are used for engine interrupts. The last 16 interrupt vectors (0010H~001FH) are used for DMA TC interrupts. These interrupt vectors are shown in Table 7.4.

Table 7.4 RISC Interrupt Vectors

Vector	Engine	Description
0000H		Main program starting address
0001H	ME	ME complete interrupt
0002H	MC	MC complete interrupt
0003H	DCT/IDCT (D)	IDCT complete interrupt
0004H	DCT/IDCT (E)	DCT complete interrupt
0005H	VPRE	Video capture complete interrupt
0006H	VPRE	Pre-filter complete interrupt
0007H	VLE	VLE FIFO full interrupt
0008H	TIMER	TIMER DTR interrupt
0009H	TIMER	TIMER ETR interrupt
000AH	TIMER	TIMER TR interrupt
000BH	VPOST	Post-filter complete interrupt
000CH	DBF	Deblocking filter complete interrupt
000DH	VLPIO	VLD complete interrupt
000EH	VLPIO	BCH frame un-lock, Encode Output FIFO full, Encode Input FIFO empty, or Decode Input FIFO empty interrupt (Note 1)
000FH	VLPIO	VLD run-level block error interrupt
0010H	MC	DMA TC interrupt for MC input
0011H	ME	DMA TC interrupt for Search Window
0012H	ME	DMA TC interrupt for Current Macro Block
0013H	MC	DMA TC interrupt for MC output
0014H	DCT/IDCT	DMA TC interrupt for DCT input
0015H	DCT/IDCT	DMA TC interrupt for IDCT output of Decoding
0016H	DCT/IDCT	DMA TC interrupt for IDCT output of Encoding
0017H	VLPIO	DMA TC interrupt for Encoding bitstream
0018H	VLPIO	DMA TC interrupt for Decoding bitstream
0019H	VLPIO	DMA TC interrupt for bitstream from PCI FIFO
001AH	DBF	DMA TC interrupt for deblocking filter data in/out
001BH	ME	DMA TC interrupt for Predicted Macro Block
001AH ~ 001FH		Reserved

Note 1. Controlled by bits 11-8 of the PIO Control register (PIOCR).

When an interrupt occurs, program counter jumps to the interrupt service routine pointed by the corresponding interrupt vector. RISC also disables the other interrupt inputs and stores current program counter, instruction, and execution status at IF, DEC, and EXE stages into the shadow registers.



In the interrupt service routine, the Interrupt Vector register (IVEC) or FDMA TC Status register (TCSR) must be read at first to acknowledge the interrupt. At the end of the service routine, an EI instruction must be used to re-enable interrupt, then a RET instruction, which restores RISC pipeline with the shadow registers, is used to return to the main program.

7.5 INTC (Interrupt Controller)

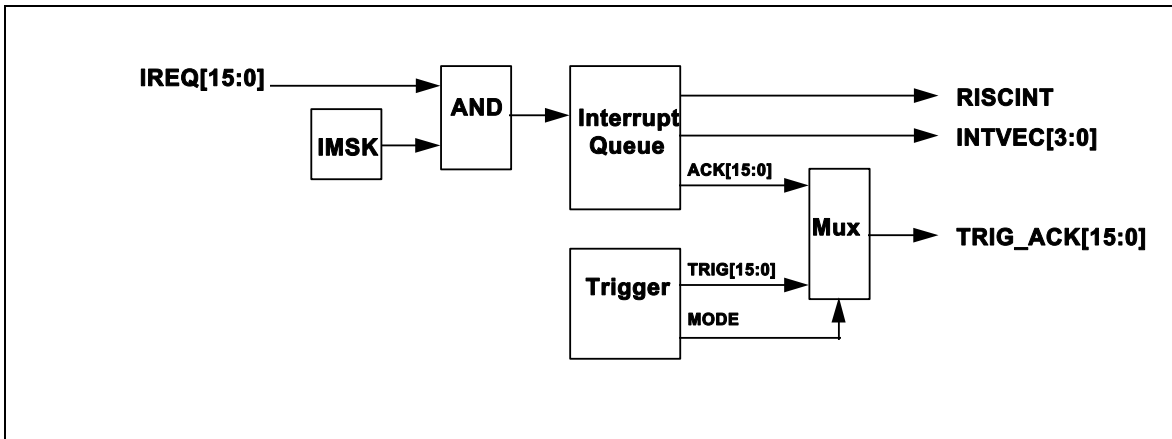


Figure 7.10 INTC Block Diagram

The interrupt controller provides 16 interrupt channels that are used for engine interrupts to the RISC. It supports two interrupt modes: interrupt and trigger modes. In interrupt mode, the INTC responds with acknowledgment signal when an interrupt is generated via IREQ[15:0] by the engine, timer, or external interrupt from ISA-like bus. In trigger mode, the RISC first triggers a specific engine to operate via TRIG_ACK[15:0] by programming the Software Trigger register (STG). Once the engine completes operation, it interrupts the RISC via IREQ[15:0]. Each channel can operate with only one specific mode as shown in Table 7.5. The W9961CF can operate correctly only when the Trigger Mode register (TMOD) is programmed with a 181FH or 185FH value.

Table 7.5 Interrupt Channels

Channel	Engine	Mode	Description
0			Reserved
1	ME	TRIG	Trigger MB Motion Estimation
2	MC	TRIG	Trigger current block Motion Compensation
3	DCT/IDCT	TRIG	Trigger current block IDCT
4	DCT/IDCT	TRIG	Trigger current block DCT
5	VPRE	INTR	Video capture complete interrupt
6	VPRE	TRIG/INTR	Trigger pre-filter, or pre-filter complete interrupt (Note 1)
7	VLETCO	INTR	VLE FIFO full interrupt
8	TIMER	INTR	TIMER DTR interrupt
9	TIMER	INTR	TIMER ETR interrupt
A	TIMER	INTR	TIMER TR interrupt
B	VPOST	TRIG	Trigger post-filter
C	DBF	TRIG	Trigger deblocking filter
D	VLPIO	INTR	VLD complete interrupt
E	VLPIO	INTR	BCH frame un-lock, Encode Output FIFO full, Encode Input FIFO empty, or Decode Input FIFO empty interrupt (Note 2)



F	VLPIO	INTR	VLD run-level block error interrupt
---	-------	------	-------------------------------------

Note 1. Pre-filter can be triggered automatically by the hardware (VCCR_7 = 0, channel 6 must be in INTR mode) or by the software (VCCR_7 = 1, channel 6 must be in TRIG mode).

Note 2. Controlled by bits 11-8 of the PIO Control register (PIOCR).

All interrupt channels are maskable by the corresponding bits of the Interrupt Mask register (IMSK). A 16-level interrupt queue is used to buffer interrupt from each channel. An interrupt to the RISC will be generated with corresponding interrupt vector when the queue is not empty and the RISC is not executing any interrupt service routine. In the interrupt service routine, the RISC must read the Interrupt Vector register (IVEC) at first to acknowledge the INTC. Once acknowledged, current interrupt status of the INTC will be cleared and next interrupt request queued in the interrupt queue will be processed when the service routine is completed.

7.6 Timer

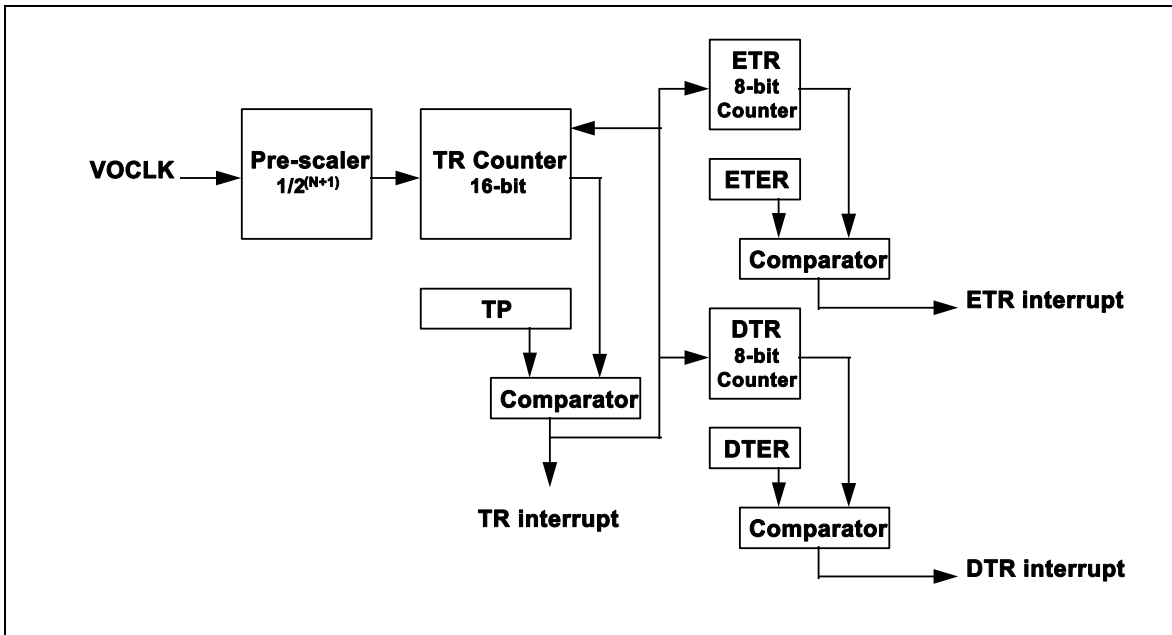


Figure 7.11 Timer Block Diagram

The timer provides a 16-bit TR counter for the picture clock frequency (PCF), an 8-bit ETR counter for the encoding temporal reference, and an 8-bit DTR counter for the decoding temporal reference. A stable VOCLK with 27.0 Mhz clock frequency is used as clock input for the timer. The picture clock frequency is generated according to the following equation:

$$PCF = \left(2^{(N+1)} \cdot (TP + 1) \right)$$

For example, a picture clock frequency of 30000/1001 (approximately 29.97) pictures per second can be achieved by programming N = 04H and TP = 6DF8H, and a picture clock frequency of 25 pictures per second can be achieved by programming N = 04H and TP = 83D5H.

7.7 FDMA Controller

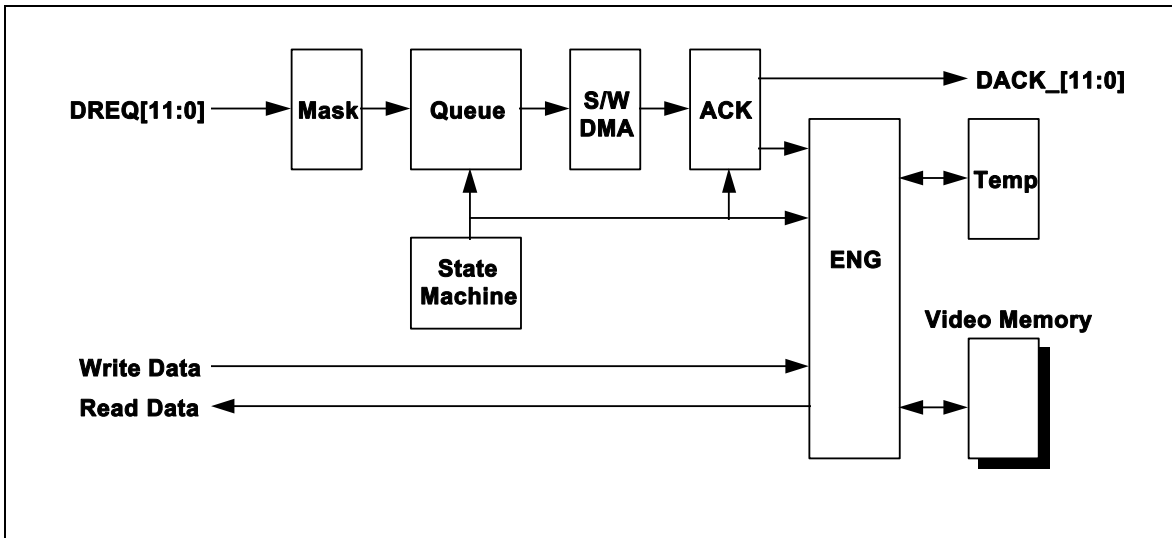


Figure 7.12 FDMA Controller Block Diagram

The FDMA controller supports 12 channels that are used for direct memory access between video memory and hardware engines. The RISC first sets up the FDMA registers, which contain picture start, engine start, picture size, and transfer size. A 16-level request queue is used to buffer request from each FDMA channel. Once the DMA transfer is complete, the controller interrupts the RISC. In addition to accept requests from hardware engines, the FDMA also responds to request that are initiated by software. Software may initiate a DMA service request by programming a channel value into the Software FDMA register. Software FDMA has the highest priority and will be serviced immediately when the FDMA engine is ready. FDMA channels are listed in Table 7.6.

Table 7.6 FDMA Channels

Channel	Engine	Addressing	Mode	R/W	Description
0	MC			W	Block In for MC
1	ME			W	Block In for Search Window of ME
2	ME			W	Block In for Current Macro Block
3	MC			R	Block Out for By-Pass Filter
4	DCT/IDCT			W	Block In for DCT
5	DCT/IDCT			R	Block Out for Decoder Re-Construct
6	DCT/IDCT			R	Block Out for Encoder Re-Construct
7	PIO	Linear	Demand	W	BCH Encoder Bitstream In
8	PIO	Linear	Demand	W	Decoder Bitstream In
9	PIO	Linear	Demand	R/W	Encoder Bitstream In/Out, BCH Out
A	DBF			R/W	Deblocking Filter Data In/Out
B	ME			R	Block Out for Predicted Macro Block

Note 1. R: engines to video memory; W: video memory to engines.



7.7.1 FDMA Transfer Modes

The FDMA supports two transfer modes: Block and Demand. A 16-level request queue is used to buffer request from each FDMA channel. Each channel has associated with it a mask bit which can be set to disable the incoming DREQ. An unrestricted mode is also supported when the picture start is out of picture boundary, where an edge pixel is used instead.

In Block Transfer mode the FDMA is activated by DREQ to continue making transfers during the service until a TC is encountered. The FDMA ignores DREQ of that channel during the service.

In Demand Transfer mode the FDMA is activated by DREQ to continue making transfers during the service until a TC is encountered, or until DREQ goes inactive. Thus transfers may continue until the hardware engine has exhausted its data capacity. After the hardware engine has had a chance to catch up, the FDMA service is reestablished by means of a DREQ. During the time between services, the intermediate values of address and word count are stored in the temporary registers.

7.7.2 FDMA Transfer Types

Two transfer types are supported: Read and Write. Read transfers move data from a hardware engine to video memory. Write transfers move data from video memory to a hardware engine.

7.7.3 FDMA Programming

The FDMA supports two addressing modes: Block and Linear. Normally, Block addressing is used by Block Transfer modes, and Linear addressing is by Demand Transfer modes.

Block Transfer Mode with Block Addressing Programming

Refer to Figure 7.13. Programming sequence is:

1. FDMA Mode register: LIN = 0, DMD = 0, R/W_ = 0 or 1
2. Transfer Size registers: EW = 3, EH = 3, transfer size = $(EW+1) \times (EH+1) = 16$
3. Picture Size registers: PW = 9, PH = 9
4. Frame Memory Start Address: FMSA = 64, physical memory start address (DWORD) = $64 \times 64 / 4 = 1024$
5. Picture Start registers: PSX = 3, PSY = 2
6. Start to calculate finit = $PSY \times (PW+1) + PSX + FMSA = 2 \times (9+1) + 3 + 1024 = 1047$
7. Engine Start registers: ESX = 1, ESY = 1
8. Enable DMASK

Demand Transfer Mode with Linear Addressing Programming

Refer to Figure 7.14. Programming sequence is:

1. FDMA Mode register: LIN = 1, DMD = 1, R/W_ = 0 or 1
2. Transfer Size registers: EW = 100, EH = 1, transfer size = $EH \times 2^9 + (EW+1) = 613$
3. Picture Size registers: PW = 9, PH = 9
4. Frame Memory Start Address: FMSA = 64, physical memory start address (DWORD) = $64 \times 64 / 4 = 1024$
5. Picture Start registers: PSX = 15, PSY = 1
6. Start to calculate finit = $PSY \times (PW+1) + PSX + FMSA = 1 \times (9+1) + 15 + 1024 = 1049$

- 7. Engine Start registers: ESX = 0, ESY = 0
- 8. Enable DMASK

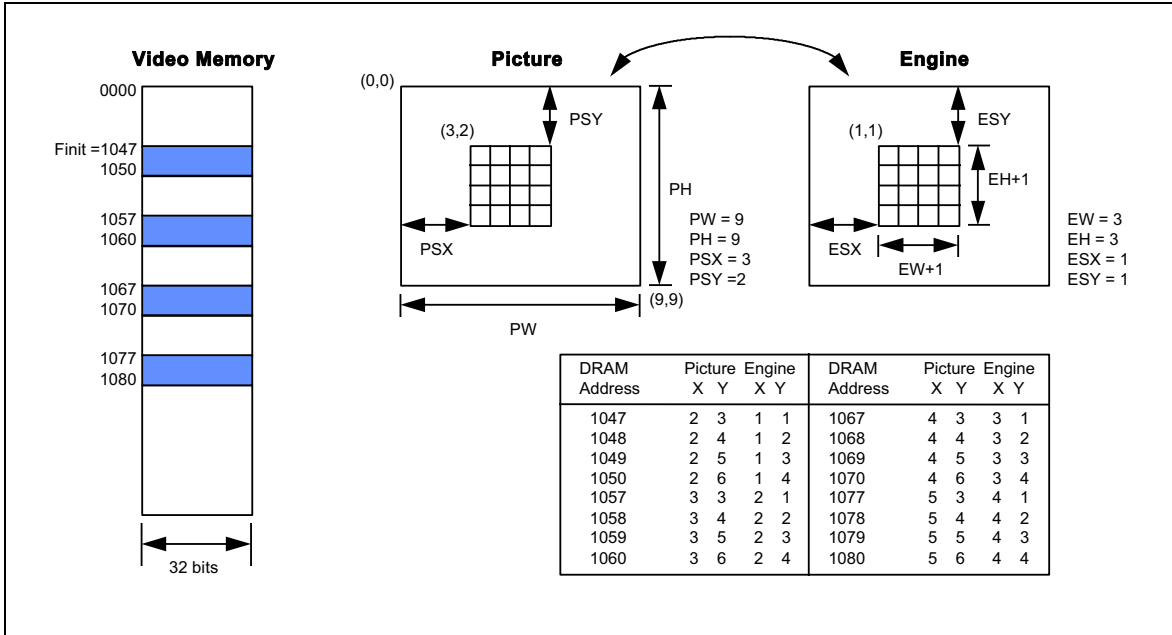


Figure 7.13 Block Transfer Mode with Block Addressing

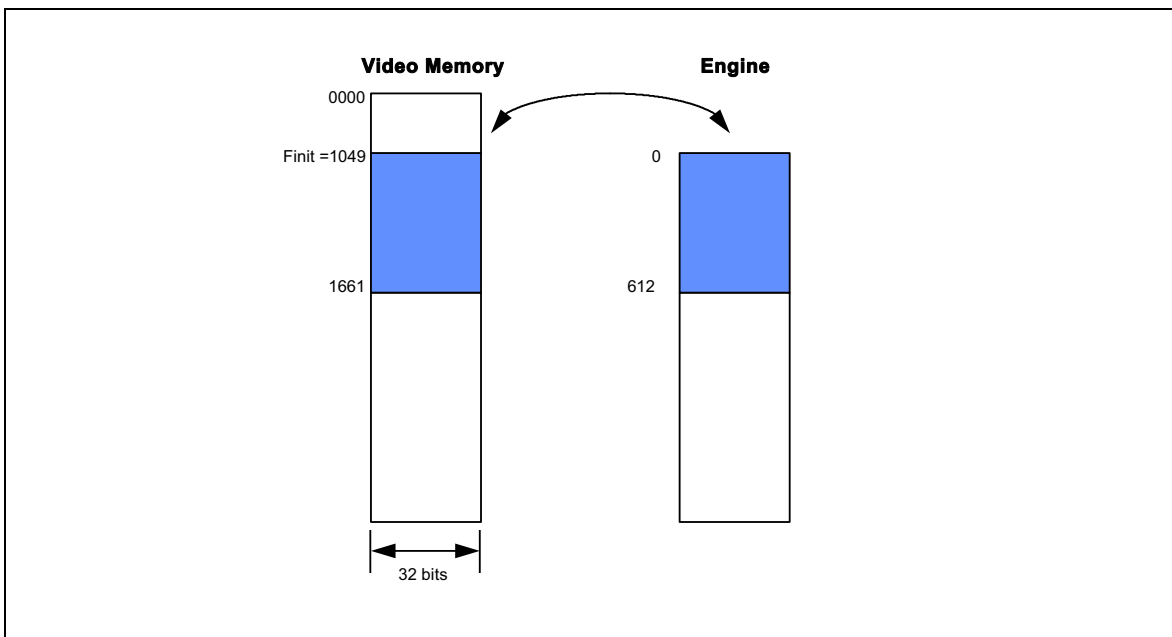


Figure 7.14 Demand Transfer Mode with Linear Addressing

7.8 Host Interface Controller

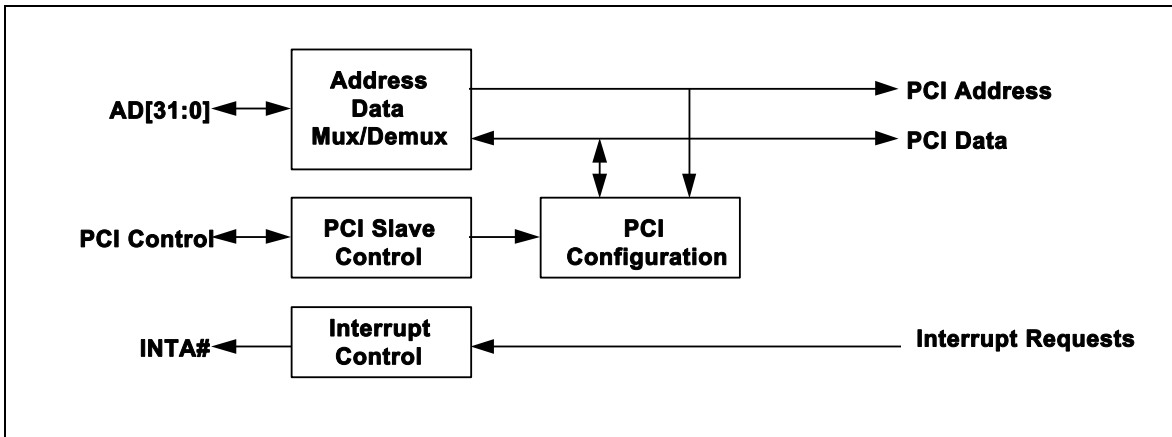


Figure 7.15 Host Interface Controller Block Diagram

The W9961CF support a glueless interface for a 32-bit PCI bus. The PCI configuration register space occupies 256 bytes. The W9961CF supports or returns 0 for the first 64 bytes region. Refer to section 8.1 for a detailed description of the PCI configuration space supported by the W9961CF.

7.8.1 PCI Address Spaces

The W9961CF provides three addressing spaces starting at the base addresses specified in the PCI Base Address 1, 2, and 3 registers. Address space starting at Base Address 1 is used for PCI accesses of W9961CF control registers, RISC data memory, and RISC program memory. Address space starting at Base Address 2 is used for video memory accesses. Address space starting at Base Address 3 is used for ISA-like bus interface accesses. The W9961CF control registers, DM, PM, and video memory can be DWORD-accessed only, while the ISA-like bus interface can be BYTE-accessed only.

7.8.2 PCI Interrupt Control

There are 16 interrupt sources which can generate INTA# to PCI bus. Channels 0 ~ 11 are reserved for RISC asserting interrupt to the host. Channel 12 is used for the external ISA-like bus interrupt. Channel 14 is used for the FDMA TC interrupt. Channel 15 is used for the RISC interrupt. All the 16 interrupt sources can be masked by programming a 1 to the corresponding bit of the XMSK register. When INTA# is asserted by the W9961CF, the host has to read the XSTS register to know which interrupt channel is active.

Table 7.7 PCI Interrupt Channels

Channel	XINT_IN	Description
0 ~ 11	1	Reserved for RISC
12	extint	External ISA-like bus interrupt
13		Not used

W9961CF



14	tc_out	FDMA TC output
15	int	INTC interrupt

7.9 DRAM Controller

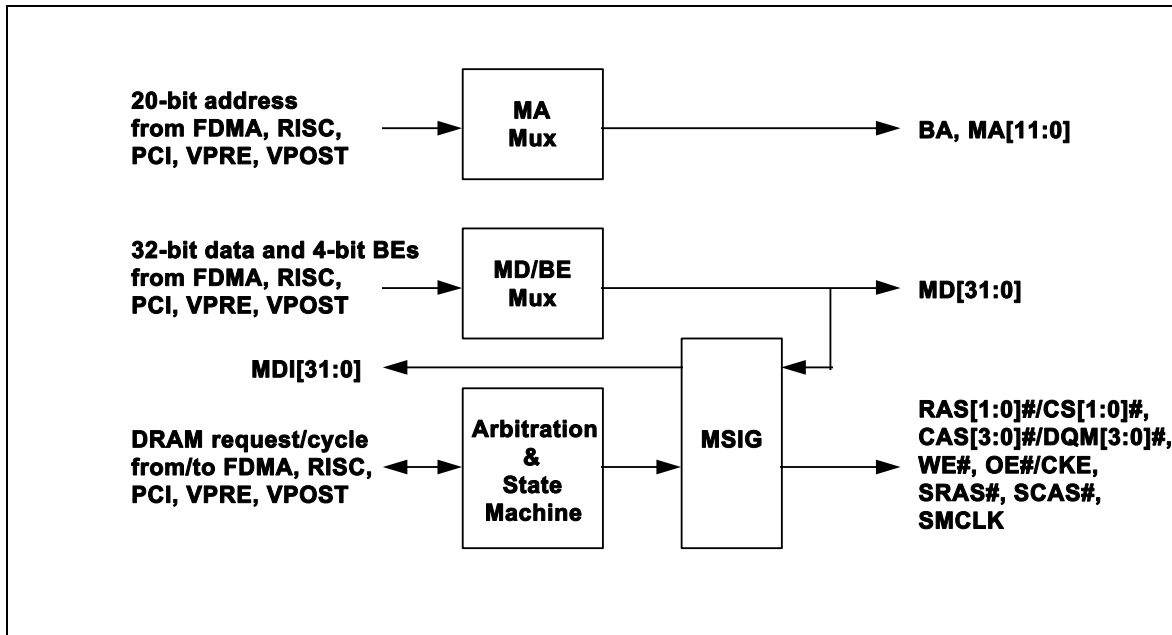


Figure 7.16 DRAM Controller Block Diagram

A 32-bit SDRAM or EDO DRAM interface is supported for W9961CF. The DRAM Controller serves as video memory arbiter and interface controller for video memory access.

7.9.1 Video Memory Arbitration

The video memory arbiter helps to maximize performance by orchestrating memory access requests from internal engines. Three priority levels are defined for these requests:

- First priority: DRAM refresh request, SDRAM mode register write request
- Second priority: video capture request, graphics display request, VA1 request, VA2 request
- Third priority: FDMA request, RISC request, PCI request, pre-filter request, post-filter request

First priority requests are for DRAM refresh and SDRAM mode control.

Second priority requests are for video input and video output, which should be real-time processed. A FIFO status is provided by each request such that the DRAM Controller arbitrates according to these FIFO status to prevent any video data loss.

Third priority requests are for video coding/decoding and bitstream transfers. Priorities of them can be either RISC, pre-filter, FDMA, post-filter, then PCI access, or PCI, RISC, pre-filter, FDMA, then post-filter access.



7.9.2 DRAM Interface

The DRAM controller provides many programmable controls for the DRAM operations which include:

- DRAM Type: supports SDRAM and EDO DRAM
- DRAM Address: programmable 9-bit (256K× EDO DRAM), 10-bit (1M× EDO DRAM or 256K× SDRAM), and 12-bit (1M× SDRAM) address
- DRAM Timing: adjustable Trp, Trcd, Tras, and Tcas timings
- DRAM Refresh: 1 ~ 8 refresh cycles per scan line
- SDRAM Read Latency: 1 ~ 3 clocks
- SDRAM Burst Type: sequential or interleaved
- SDRAM Burst Length: 1, 2, 4, 8, or full page

Table 7.8 shows the interface signals for SDRAM and EDO DRAM.

Table 7.8 SDRAM and EDO DRAM Interface Signals

Pin Name	256K× EDO DRAM	1M× EDO DRAM	256K× SDRAM	1M× SDRAM
MD[31:0]	MD[31:0]	MD[31:0]	MD[31:0]	MD[31:0]
MA[10:0]	MA[8:0]	MA[9:0]	MA[8:0]	MA[10:0]
BA			BA	BA
RAS[1:0]#/CS[1:0]#	RAS[1:0]#	RAS[1:0]#	CS[1:0]#	CS[1:0]#
CAS[3:0]#/DQM[3:0]	CAS[3:0]#	CAS[3:0]#	DQM[3:0]	DQM[3:0]
OE#/CKE	OE#	OE#	CKE	CKE
WE#	WE#	WE#	WE#	WE#
SRAS#			SRAS#	SRAS#
SCAS#			SCAS#	SCAS#
SMCLK			SMCLK	SMCLK



7.10 ISA-like Bus Interface and GPIOs

7.10.1 ISA-like Bus Interface

The ISA-like Bus provides a 13-bit address bus, an 8-bit data bus, one write strobe signal, one read strobe signal, and one interrupt input as interface with an external co-processor. It can be accessed directly by the host through PCI bus, or indirectly by the host or RISC via the ISA-like Bus Control registers as described in Table 7.9. The external interrupt input can be either level-triggered (ISAINT_2 = 1) or falling edge-triggered (ISAINT_2 = 0).

Table 7.9 ISA-like Bus Access Modes

Mode	Address Space	Description
PCI Direct Access	BA3 000000H ~ 00003FH	64-byte address space, byte-access only. ISA-like Bus signals are automatically generated when a PCI I/O read or write command to this address space is issued.
PCI Indirect Access	BA1 0040H ~ 004CH	8K-byte address space. ISA-like Bus signals are generated via the ISA-like Bus Control registers.
RISC Indirect Access	RISC DM 000010H ~ 000013H	8K-byte address space. ISA-like Bus signals are generated via the ISA-like Bus Control registers.

7.10.2 GPIO

The W9961CF provides 5 general purpose I/O ports. Each GPIO can be configured as an input or output port, depending on the corresponding bit of the GPIO Output Enable register (GPIOOE).

7.11 PLL (Phase Locked Loop)

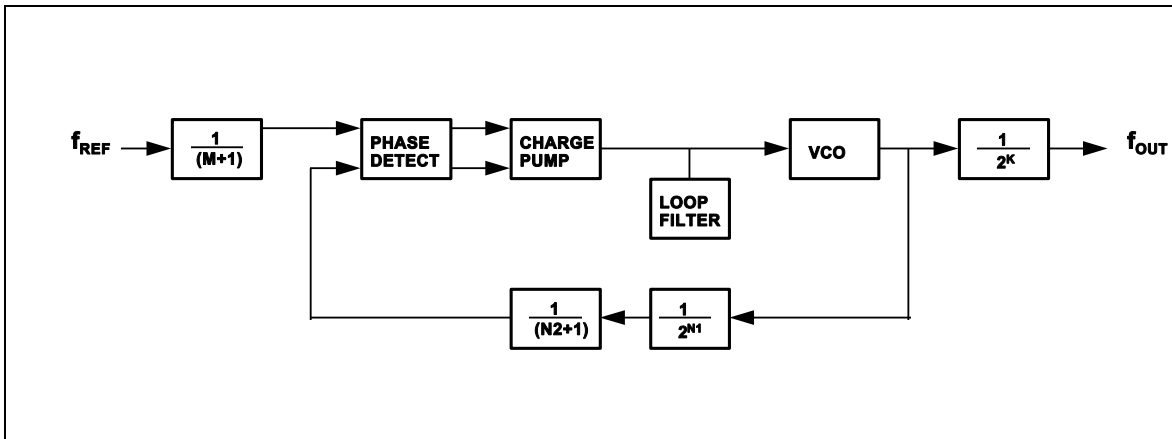


Figure 7.17 PLL Block Diagram

The built-in PLL frequency synthesizer is used to generate the internal MCLK clock. A stable reference frequency is required by dividing VOCLK by 2 (VOCLK/2 with typical 13.5 Mhz frequency) as the reference clock input for the PLL. The output frequency resulting from a given set of parameters is specified by the following formula:

$$f_{OUT} = \frac{2^{N1} \times (N2 + 1)}{(M + 1) \times 2^K} \times f_{REF}$$

where M is a 6-bit value that can be programmed with any integer value from 1 to 63, N1 is a 2-bit value that can be programmed with any integer value from 0 to 3, N2 is a 6-bit value that can be programmed with any integer value from 1 to 127, and K is a 2-bit value that can be programmed with any integer value from 0 to 3.

8 ELECTRICAL CHARACTERISTICS

8.1 Absolute Maximum Ratings

Table 8.1 Absolute Maximum Ratings

Ambient temperature	0° C to 70° C
Storage temperature	-40° C to 125° C
DC supply voltage	-0.5V to 7V
I/O pin voltage with respect to VSS	-0.5V to VDD + 0.5V

8.2 DC Characteristics

8.2.1 DAC DC Characteristics

Table 8.2 DAC DC Characteristics

Parameter	Min.	Typ.	Max.	Unit
Power Supply AVDD, TVAVDD	3.0	3.3	3.6	V
DAC Coding				Binary
TVDAC Resolution	9	9	9	Bits
Integral Linearity Error			±1	LSB
Differential Linearity Error			±1	LSB
Gray Scale Error			±5	%Gray
LSB Size		69.1		μA
DAC-to-DAC Matching		2	5	%
Output Compliance	-1.0		1.5	V
Gray Scale Current Range			35	mA
Output Impedance		10K		Ω
Output Capacitance (f = 1 MHz; I _{OUT} = 0 mA)			30	pF
Monotonicity				Guaranteed
Internal V _{REF}		1.06		V
Power Supply Reject Ratio (f = 1 KHz)			0.5	%%AVDD

Note 1. Measured with VREF = 1.06 V, RSET = 100 Ω.

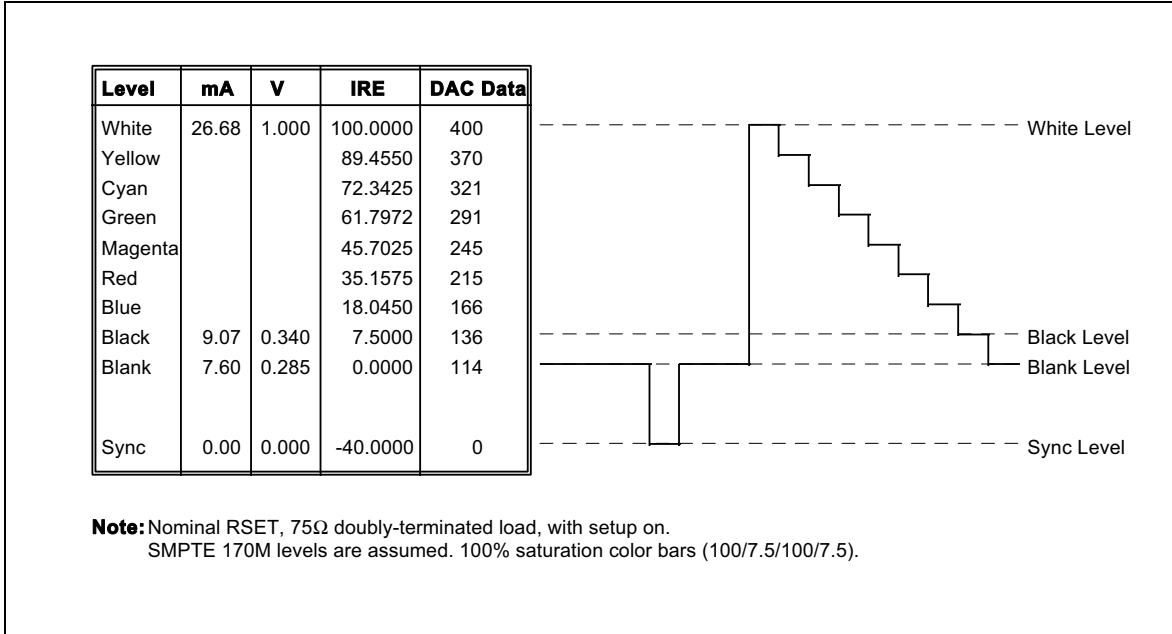


Figure 8.1 525-line (NTSC/PAL-M) Y (Luminance) Output Waveform

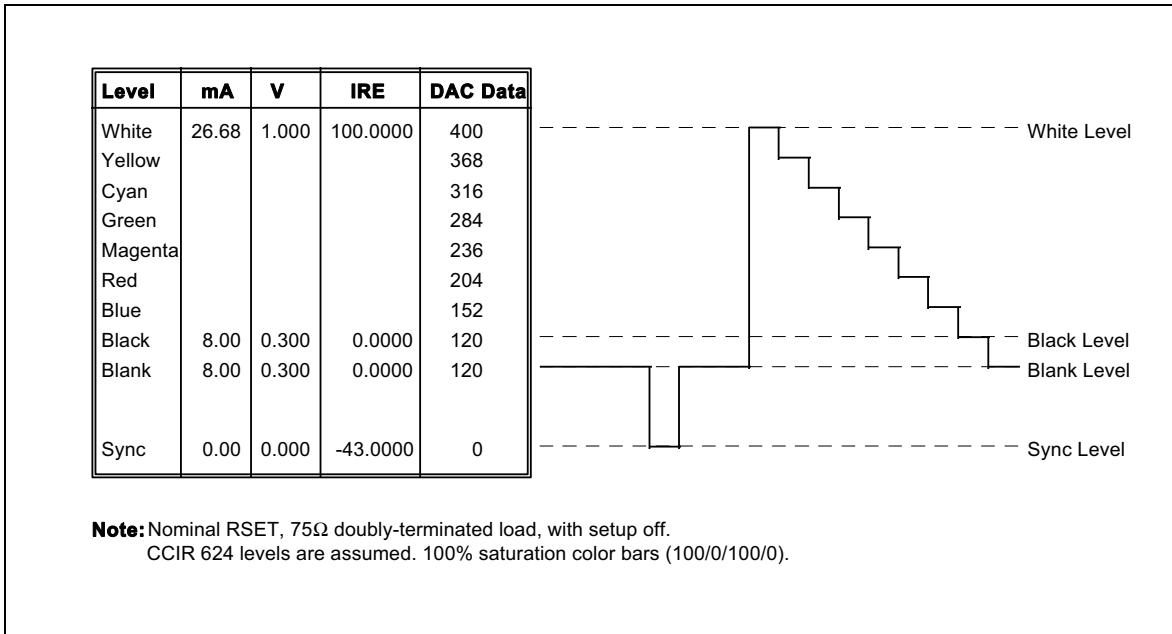


Figure 8.2 625-line (PAL-B, D, G, H, N) Y (Luminance) Output Waveform

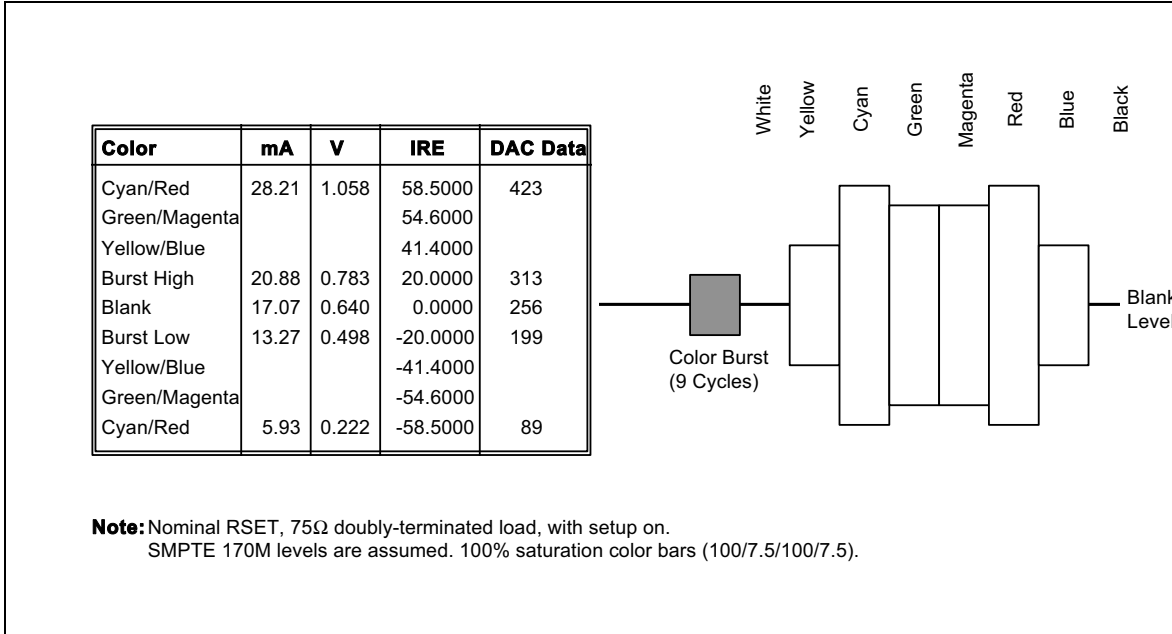


Figure 8.3 525-line (NTSC/PAL-M) C (Chrominance) Output Waveform

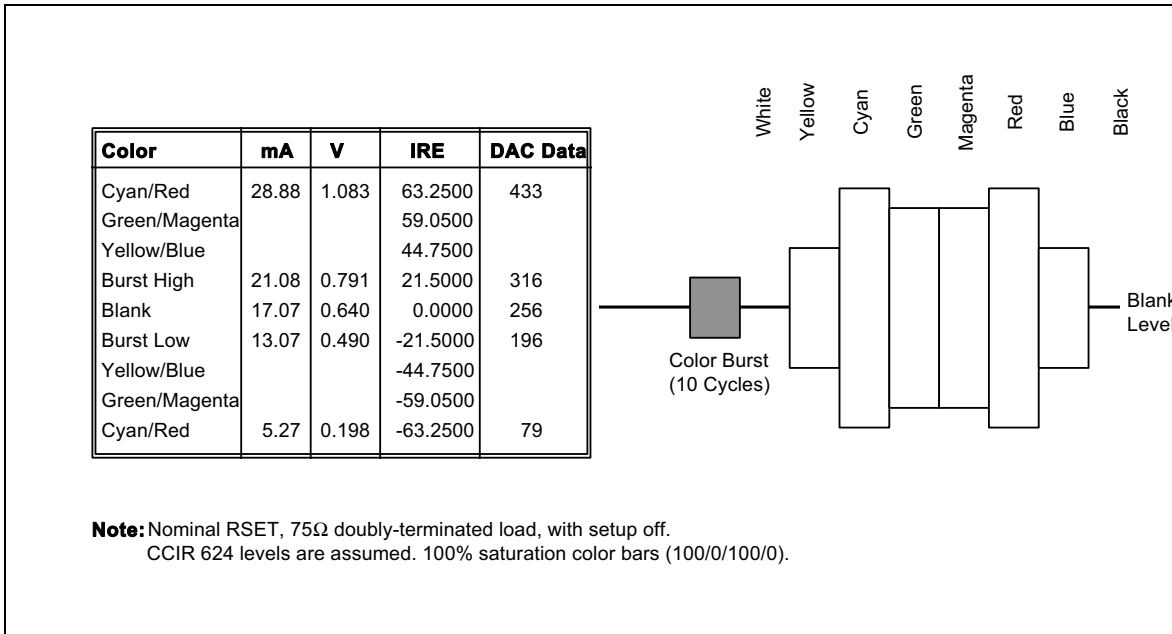


Figure 8.4 625-line (PAL-B, D, G, H, N) C (Chrominance) Output Waveform

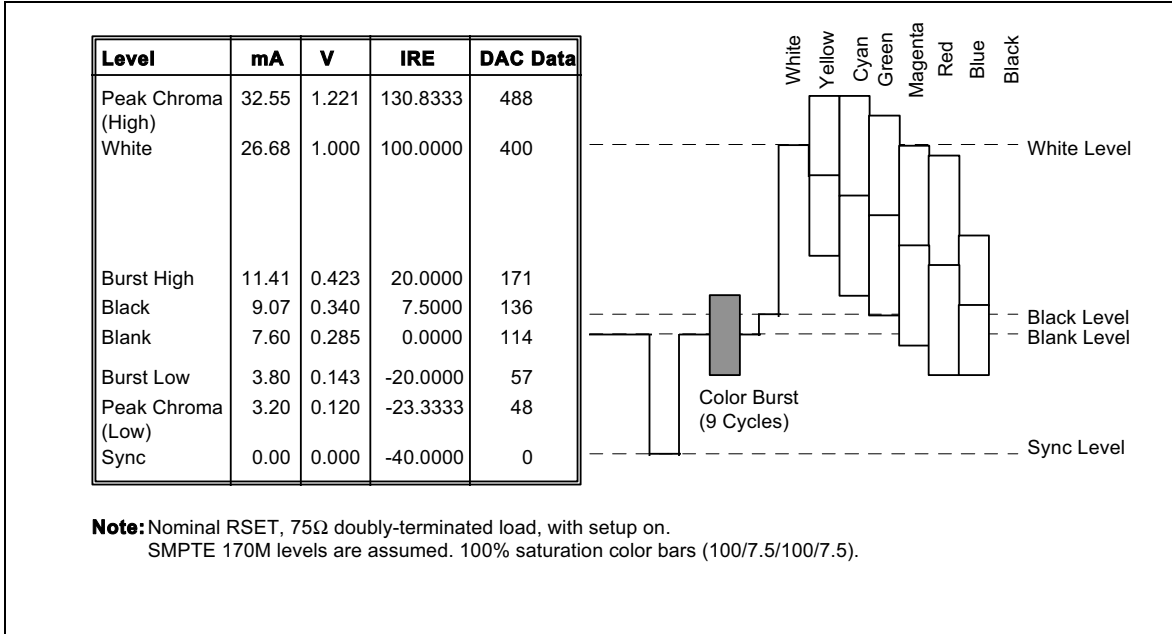


Figure 8.5 525-line (NTSC/PAL-M) Composite Video Output Waveform

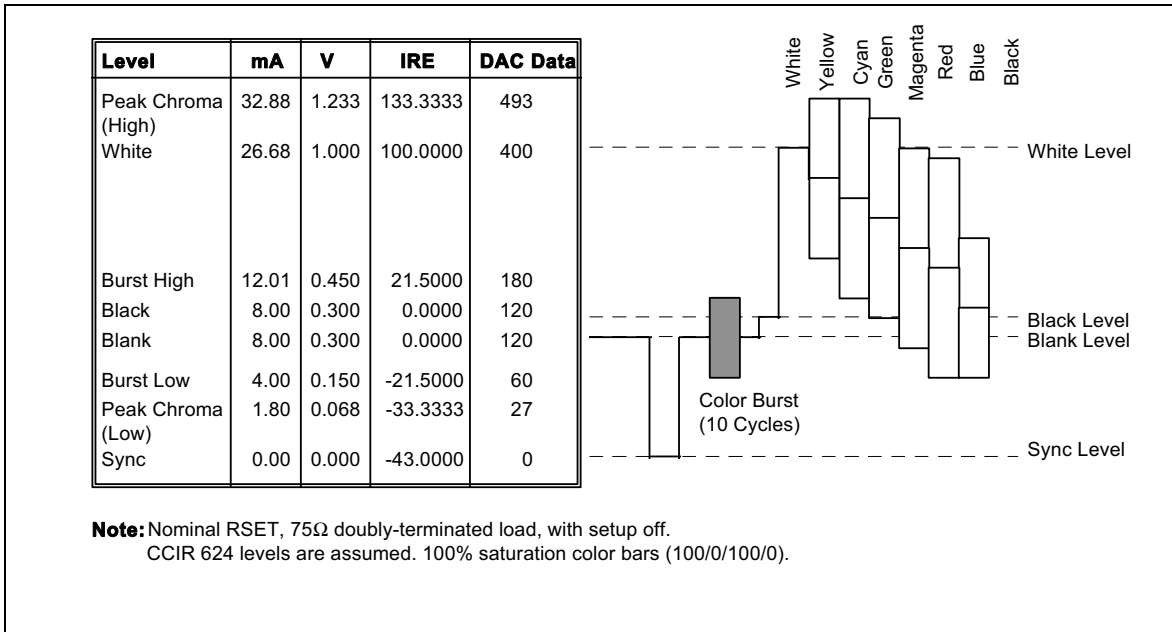


Figure 8.6 625-line (PAL-B, D, G, H, N) Composite Video Output Waveform

8.2.2 Digital DC Characteristics

Table 8.3 Digital DC Characteristics

Symbol	Parameter	Conditions	Min.	Max.	Unit
VDD5V	5V Power Supply		5.25	5.75	V
VDD	3V Power Supply		3.0	3.6	V
V _{IL}	Input Low Voltage		-0.5	0.8	V
V _{IH}	Input High Voltage		2.0		V
V _{OL}	Output Low Voltage			VSS+0.4	V
V _{OH}	Output High Voltage		2.4		V
I _{IL}	Input Low Leakage Current	V _{IN} = 0.4V		+70	μA
I _{IH}	Input High Leakage Current	V _{IN} = 2.4V		-70	μA
I _{UP}	Pull-up Current	V _{IN} = 0V	-133.2	-400.6	μA
C _{IO}	Pin Capacitance			10	pF
I _{DD}	Active Current	F _{MCLK} = 70 MHz		500	mA

8.3 AC Characteristics

8.3.1 DAC AC Characteristics

Table 8.4 DAC AC Characteristics

Parameter	Min.	Typ.	Max.	Unit
Luminance Bandwidth		Fin/2		MHz
Chrominance Bandwidth		1.3		MHz
Hue Accuracy		1.5	3	°
Color Saturation Accuracy		1.5	3	%
DAC Output Delay			30	ns
DAC Output Rise/Fall Time		3		ns
DAC Output Settling Time		8		ns
Input Clock Frequency (Fin)	12.27	13.5	14.75	MHz

Table 8.5 TV Modes Resolution and Clock Rate

Mode	Active Pixels	Total Pixels	TV Clock
NTSC	720x485	858x525	13.5000 MHz
PAL-M	720x484	858x525	13.5000 MHz
PAL-B, D, G, H, N	720x576	864x625	13.5000 MHz

8.3.2 PLL AC Characteristics

Table 8.6 PLL AC Characteristics

Parameter	Min.	Typ.	Max.	Unit
Input Clock Frequency		13.5		MHz
Input Clock Duty Cycle	40	50	60	%
MCLK Clock Frequency		70		MHz
MCLK Clock Frequency Error			0.5	%
MCLK Clock Duty Cycle	40	50	60	%

8.3.3 RESET Timing AC Characteristics

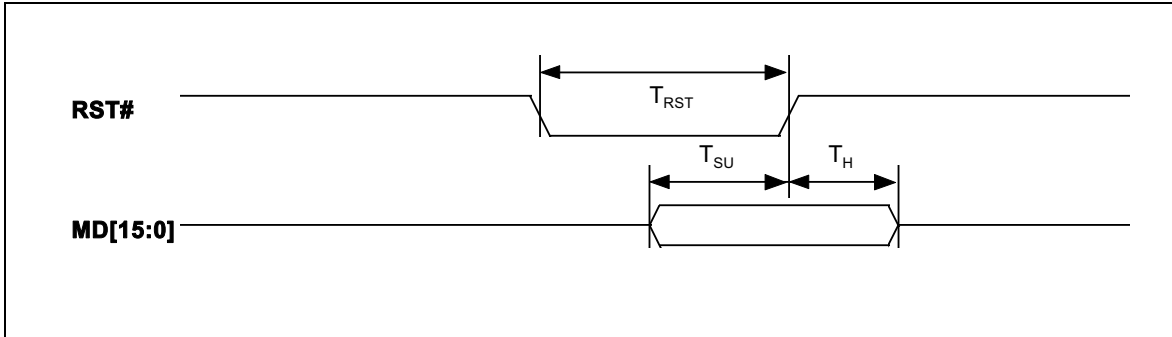


Figure 8.7 RESET Timing

Table 8.7 RESET Timing

Symbol	Parameter	Conditions	Min.	Max.	Unit
T_{RST}	Reset Pulse Width		100		ns
T_{SU}	MD[15:0] Setup Time		20		ns
T_H	MD[15:0] Hold Time		10		ns

8.3.4 Clock AC Characteristics

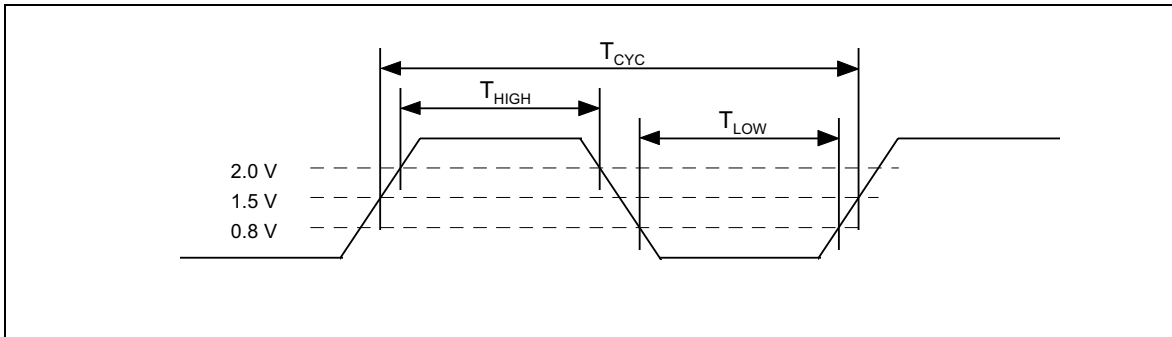


Figure 8.8 Clock Waveform

Table 8.8 Clock AC Characteristics

Symbol	Parameter	Conditions	Min.	Max.	Unit
$1/T_{CYC}$	PCICLK Frequency		30	40	MHz
	VICLK Frequency		5	30	MHz
	VOCLK Frequency		26.999	27.001	MHz
	VOCLK/2 Frequency		13.499	15.001	MHz
			60	80	MHz

	SMCLK Frequency				
T _{HIGH}	PCICLK High Time	PCICLK = 33 Mhz	12	18	ns
	VICLK High Time	VICLK = 13.5 Mhz	29.6	44.5	ns
	VOCLK High Time	VOCLK = 27 Mhz	14.8	22.3	ns
	VOCLK/2 High Time	VOCLK/2 = 13.5 Mhz	29.6	44.5	ns
	SMCLK High Time	SMCLK = 70 MHz	5.7	8.6	ns
T _{LOW}	PCICLK Low Time	PCICLK = 33 Mhz	12	18	ns
	VICLK Low Time	VICLK = 13.5 Mhz	29.6	44.5	ns
	VOCLK Low Time	VOCLK = 27 Mhz	14.8	22.3	ns
	VOCLK/2 Low Time	VOCLK/2 = 13.5 Mhz	29.6	44.5	ns
	SMCLK Low Time	SMCLK = 70 MHz	5.7	8.6	ns

8.3.5 Input Timing AC Characteristics

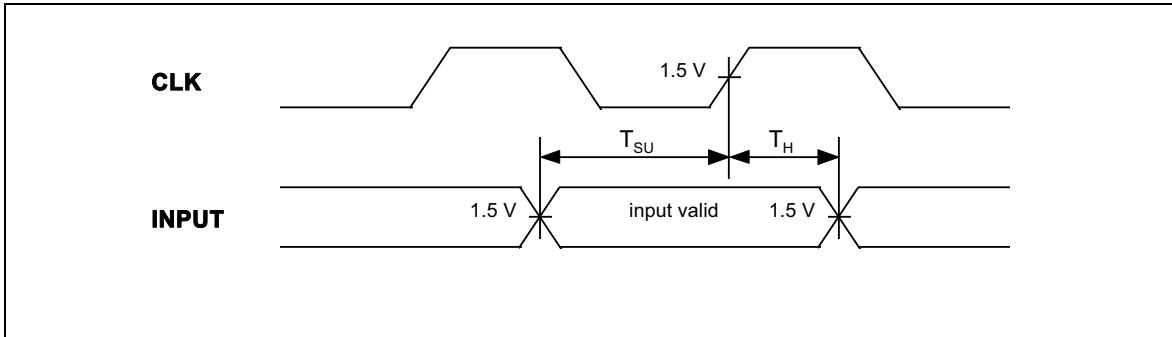


Figure 8.9 Input Timing

Table 8.9 PCICLK-Referenced Input Timing AC Characteristics

Symbol	Parameter	Conditions	Min.	Max.	Unit
T _{SU}	AD[31:0], C/BE[3:0]#, FRAME#, IRDY#, IDSEL		7		ns
T _H	AD[31:0], C/BE[3:0]#, FRAME#, IRDY#, IDSEL		7		ns

Table 8.10 SMCLK-Referenced Input Timing AC Characteristics

Symbol	Parameter	Conditions	Min.	Max.	Unit
T _{SU}	MD[15:0] , SD[7:0] Setup Time		0		ns
T _H	MD[15:0] , SD[7:0] Hold Time		7		ns



Table 8.11 VICKL-Referenced Input Timing AC Characteristics

Symbol	Parameter	Conditions	Min.	Max.	Unit
T _{SU}	Y[7:0], UV[7:0], HS, VS		5		ns
T _H	Y[7:0], UV[7:0], HS, VS		5		ns

8.3.6 Output Timing AC Characteristics

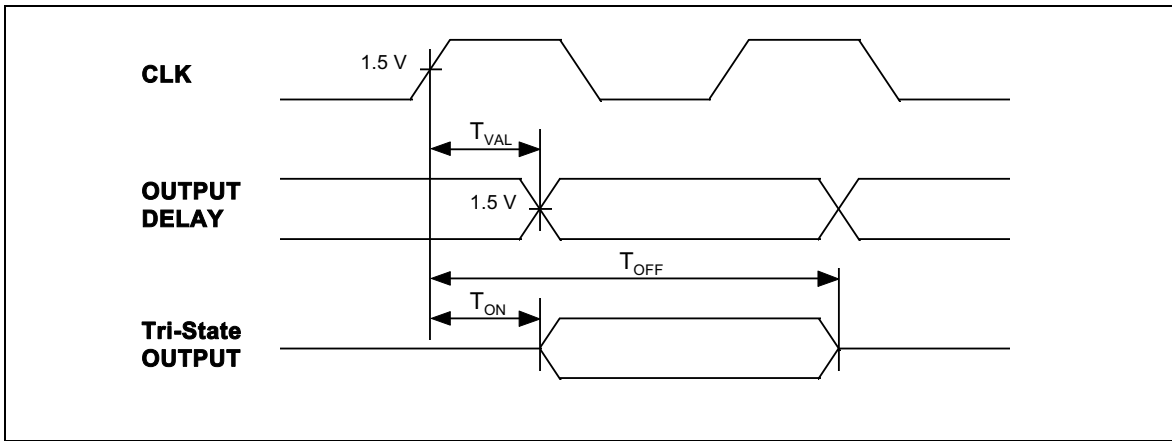


Figure 8.10 Output Timing

Table 8.12 PCICK-Referenced Output Timing AC Characteristics

Symbol	Parameter	Conditions	Min.	Max.	Unit
T _{VAL}	AD[31:0], TRDY#		2	11	ns
T _{on}	AD[31:0]		2	11	ns
	DEVSEL#, TRDY#, INTA#, PAR, PERR#, SERR#		2	11	ns
T _{off}	AD[31:0]			28	ns
	DEVSEL#, TRDY#, INTA#, PAR, PERR#, SERR#			28	ns

Table 8.13 SMCLK-Referenced Output Timing AC Characteristics

Symbol	Parameter	Conditions	Min.	Max.	Unit
T _{VAL}	MD[15:0], MA[10:0], BA, RAS[1:0]#/CS[1:0]#, CAS[1:0]#/DQM[1:0], OE#/CKE, WE#, SRAS#, SCAS#		2	7	ns
	SA[12:0], SD[7:0], SRD#, SWR#		2	11	ns
T _{ON}	MD[15:0]		2	7	ns



T _{OFF}	MD[15:0]		2	7	ns
------------------	----------	--	---	---	----

Table 8.14 PCLK-Referenced Output Timing AC Characteristics

Symbol	Parameter	Conditions	Min.	Max.	Unit
T _{VAL}	HSYNC, VSYNC, P[7:0]			10	ns

9 PACKAGE SPEC.

The W9961CF is packaged in a 208L QFP (28x28 mm footprint 2.6mm) as shown in Figure 9.1.

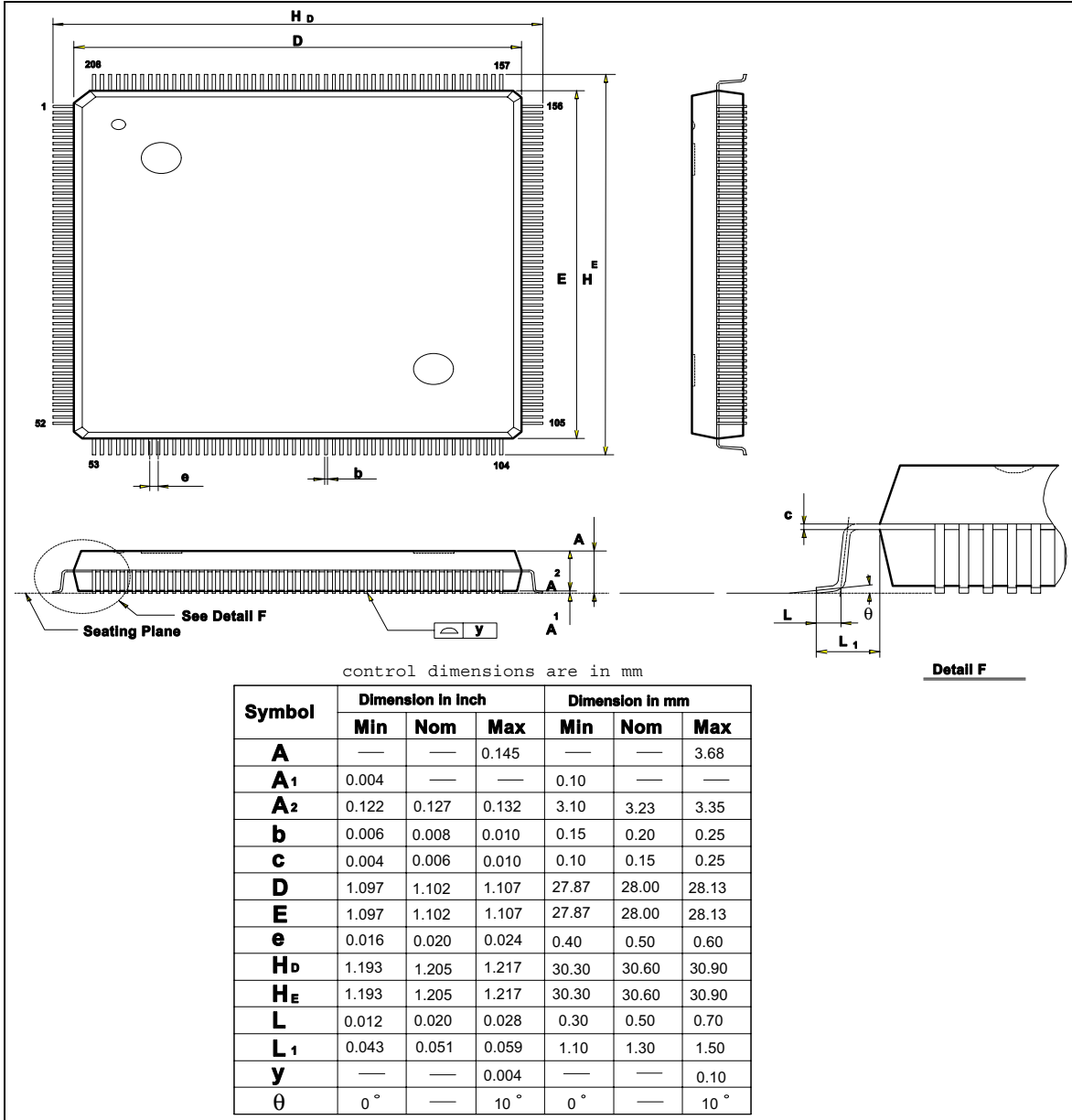


Figure 9.1 208L QFP (28X28 mm footprint 2.6mm) Dimensions



10 ORDERING INFORMATION

Part Number	Package
W9961CF	208L QFP



Headquarters

No. 4, Creation Rd. III,
Science-Based Industrial Park,
Hsinchu, Taiwan
TEL: 886-3-5770066
FAX: 886-3-5792647
<http://www.winbond.com.tw/>
Voice & Fax-on-demand: 886-2-7197006

Taipei Office

11F, No. 115, Sec. 3, Min-Sheng East Rd.,
Taipei, Taiwan
TEL: 886-2-7190505
FAX: 886-2-7197502

Winbond Electronics (H.K.) Ltd.

Rm. 803, World Trade Square, Tower II,
123 Hoi Bun Rd., Kwun Tong,
Kowloon, Hong Kong
TEL: 852-27513100
FAX: 852-27552064

Winbond Electronics North America Corp.

Winbond Memory Lab.
Winbond Microelectronics Corp.
Winbond Systems Lab.
2730 Orchard Parkway, San Jose,
CA 95134, U.S.A.
TEL: 1-408-9436666
FAX: 1-408-9436668

Note: All data and specifications are subject to change without notice.