

Video signal switcher with test pattern generator

BA7024

The BA7024 is a switching IC with built-in test-signal generator developed for use in VCRs. A frequency divider is used to divide a 500kHz reference signal and produce the horizontal synchronization signal and white signal. The test pattern image is two white lines on a black background.

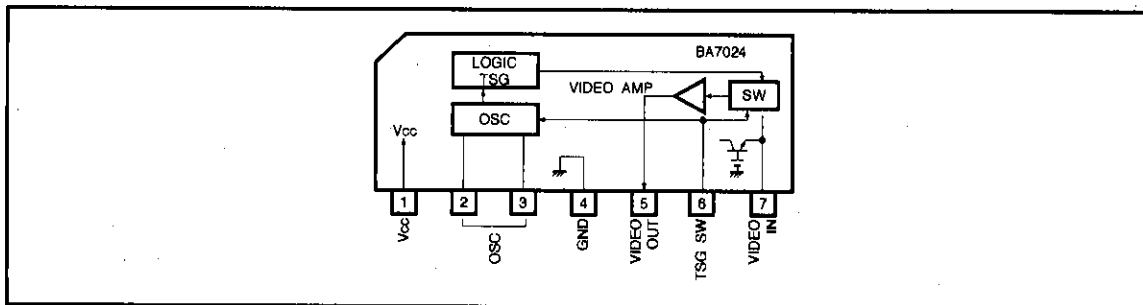
●Applications

Video cassette recorders

●Features

- 1) TSG generator circuit and video signal switch on one chip.
- 2) 5V power supply.
- 3) Small 7-pin SIP package.

●Block diagram



●Absolute maximum ratings (Ta=25°C)

Parameter	Symbol	Limits	Unit
Power supply voltage	V _{cc}	8.0	V
Power dissipation	P _d	400 *	mW
Operating temperature	T _{opr}	-25~60	°C
Storage temperature	T _{stg}	-55~125	°C

* Reduced by 4.0mW for each increase in Ta of 1°C over 25°C.

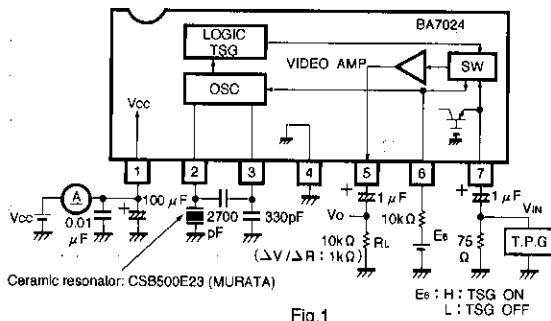
● Recommended operating conditions (Ta=25°C)

Parameter	Symbol	Min.	Typ.	Max.	Unit
Power supply voltage	V _{CC}	4.5	5.0	6.0	V

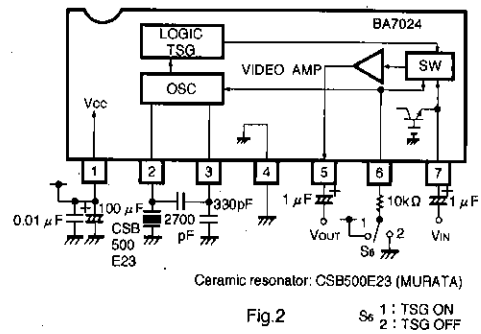
● Electrical characteristics (Unless otherwise specified Ta=25°C and V_{CC}=5V)

Parameter	Symbol	Min.	Typ.	Max.	Unit	Conditions	Measurement circuit
Circuit current	I _{CC}	—	7.5	11.5	mA	E _b =3V, TSG operating	Fig.1
<Video amplifier>							
Voltage gain	G _v	-0.5	0	0.5	dB	f=1MHz, V _{IN} =2V _{p-p}	Fig.1
Frequency characteristic	F	-0.5	0	0.5	dB	f=1~5MHz	Fig.1
Crosstalk	CT	-40	-55	—	dB	TSG mode, V block oscillation stopped, E _b =3V	Fig.1
<TSG>							
V/S ratio	V/S	7/3	6.5/3.5	6/4	—	E _b =3V	Fig.1
Peak level	V _{TSG}	0.84	0.92	1.04	V	E _b =3V	Fig.1

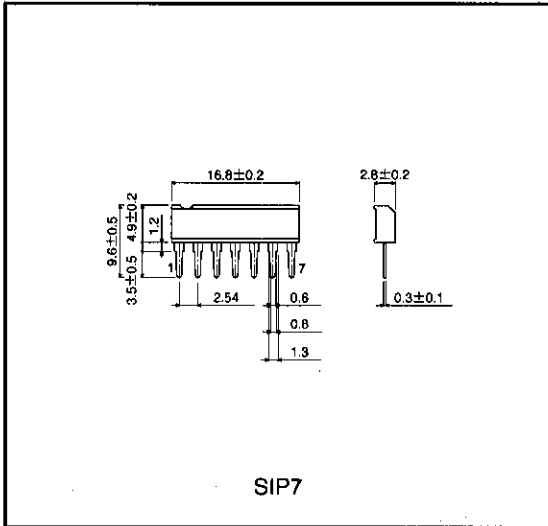
● Measurement circuit



● Application example



●External dimensions (Units: mm)



Test pattern generator

VCR components

Notes

- The contents described in this catalogue are correct as of March 1997.
- No unauthorized transmission or reproduction of this book, either in whole or in part, is permitted.
- The contents of this book are subject to change without notice. Always verify before use that the contents are the latest specifications. If, by any chance, a defect should arise in the equipment as a result of use without verification of the specifications, ROHM CO., LTD., can bear no responsibility whatsoever.
- Application circuit diagrams and circuit constants contained in this data book are shown as examples of standard use and operation. When designing for mass production, please pay careful attention to peripheral conditions.
- Any and all data, including, but not limited to application circuit diagrams, information, and various data, described in this catalogue are intended only as illustrations of such devices and not as the specifications for such devices. ROHM CO., LTD., disclaims any warranty that any use of such device shall be free from infringement of any third party's intellectual property rights or other proprietary rights, and further, assumes absolutely no liability in the event of any such infringement, or arising from or connected with or related to the use of such devices.
- Upon the sale of any such devices; other than for the buyer's right to use such devices itself, resell or otherwise dispose of the same; no express or implied right or license to practice or commercially exploit any intellectual property rights or other proprietary rights owned or controlled by ROHM CO., LTD., is granted to any such buyer.
- The products in this manual are manufactured with silicon as the main material.
- The products in this manual are not of radiation resistant design.

The products listed in this catalogue are designed to be used with ordinary electronic equipment or devices (such as audio-visual equipment, office-automation equipment, communications devices, electrical appliances, and electronic toys). Should you intend to use these products with equipment or devices which require an extremely high level of reliability and the malfunction of which would directly endanger human life (such as medical instruments, transportation equipment, aerospace machinery, nuclear-reactor controllers, fuel controllers, or other safety devices) please be sure to consult with our sales representative in advance.

- Note when exporting
 - It is essential to obtain export permission when exporting any of the above products when it falls under the category of strategic material (or labor) as determined by foreign exchange or foreign trade control laws.
 - Please be sure to consult with our sales representatives to ascertain whether any product is classified as a strategic material.