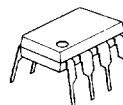


SYSTEM RESET IC

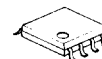
■ GENERAL DESCRIPTION

NJM2103 is supply voltage supervisory IC to detect the abnormal conditions, such as shut down of all supply voltages at once, or sudden voltage down and then generate the reset signal. It supervises both 5V supply voltage and the voltage optionally set up.

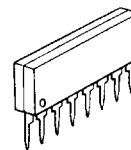
■ PACKAGE OUTLINE



NJM2103D



NJM2103M



NJM2103L

■ FEATURES

- Precise Detection of Supply Voltage Down
- Possible Detection of Optional Voltage Down
- Possible Detection of Optional Over-loading
- Low Operating Current
- Reference Voltage can be taken out.
- Low Reset Validated Voltage
- Voltage Detection with Hysteresis Feature
- Package Outline
- Bipolar Technology

($V_{SA}=4.2V \pm 2.5\%$)

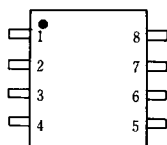
($V_{SB}=1.22V \pm 1.5\%$)

($I_{CC} \leq 500 \mu A @ V_{SB}=5V$)

($V^*=0.8V$ Typ.)

DIP8, DMP8, SIP8

■ PIN CONFIGURATION



NJM2103D
NJM2103M

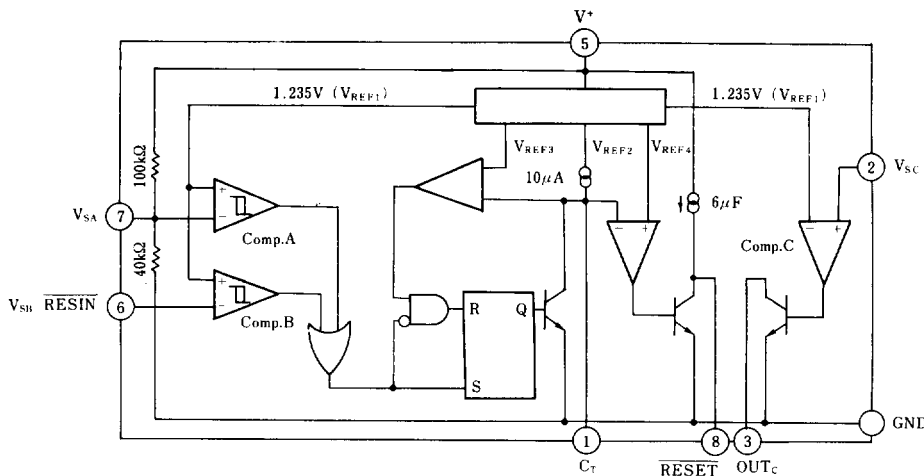


NJM2103L

PIN FUNCTION

1. C_T
2. V_{SC}
3. OUT_C
4. GND
5. V^+
6. $V_{SB}/RESIN$
7. V_{SA}
8. RESET

■ BLOCK DIAGRAM



7



■ ABSOLUTE MAXIMUM RATINGS

(Ta=25°C)

PARAMETER	SYMBOL	RATINGS	UNIT
Supply Voltage	V ⁺	20	V
Power Dissipation	P _D	(DIP8) 500 (DM8) 300 (SIP8) 800	mW mW mW
Input Voltage A	V _{SA}	V ⁺ +0.3(<20)	V
Input Voltage B	V _{SB}	20	V
Input Voltage C	V _{SC}	20	V
Operating Temperature Range	T _{opr}	-20 ~ +75	°C
Storage Temperature Range	T _{stg}	-40 ~ +125	°C

■ ELECTRICAL CHARACTERISTICS

● DC CHARACTERISTICS

(V⁺=5.0V, V_{SB}=0V, V_{SC}=0V, Ta=25°C)

PARAMETER	SYMBOL	CONDITION	MIN.	TYP.	MAX.	UNIT
Operating Current (1)	I _{CC1}	V _{SB} =5V	—	380	560	μA
Operating Current (2)	I _{CC2}		—	460	700	μA
V _{SA} Detecting Voltage (1)	V _{SAL}	V ⁺ fall time V _{SB} =V ⁺	4.10	4.20	4.30	V
V _{SA} Detecting Voltage (2)	V _{SAH}	V ⁺ rise time V _{SB} =V ⁺	4.20	4.30	4.40	V
V _{SA} Hysteresis Width	V _{HRS A}		50	100	150	mV
V _{SB} Detecting Voltage	V _{SBL}	V _{SB} fall time	1.202	1.220	1.238	V
V _{SB} Detecting Supply Voltage Fluctuation	ΔV _{SBL}	V ⁺ =3.5~18V	—	3	10	mV
V _{SB} Hysteresis Width	V _{HRS B}		14	28	42	mV
V _{SB} Input Current (1)	I _{IHB}	V _{SB} =5V	—	0	250	nA
V _{SB} Input Current (2)	I _{ILB}		—	20	250	nA
High Level RESET Output Voltage	V _{OHR}	I _{RESET} =-5μA, V _{SB} =5V	4.5	4.9	—	μV
RESET Output Saturating Voltage(1)	V _{OLR1}	I _{RESET} =2mA	—	0.20	0.40	V
RESET Output Saturating Voltage(2)	V _{OLR2}	I _{RESET} =10mA	—	0.30	0.50	V
RESET Output Sink Current	I _{RESET}	V _{OLR} =1.0V	20	80	—	mA
C _T Charge Current	I _{CT}	V _{SB} =5V, V _{CT} =0.5V	6.0	9.5	13.0	μA
V _{SC} Input Current (1)	I _{IHC}	V _{SC} =5V	—	0	500	nA
V _{SC} Input Current (2)	I _{ILC}		—	50	500	nA
V _{SC} Detecting Voltage	V _{SC}		1.215	1.235	1.255	V
V _{SC} Detecting Supply Voltage Fluctuation	ΔV _{SC}	V ⁺ =3.5~13.5V	—	3	10	mV
OUT _C Output Leak Current	I _{OHC}	V _{OHC} =13.5V	—	0	1	μA
OUT _C Output Saturation Voltage	V _{OLC}	I _{OUT} =4mA, V _{SC} =5V	—	0.10	0.40	V
OUT _C Output Sink Current	I _{OUTC}	V _{OLC} =1.0V, V _{SC} =5V	6	20	—	mA
RESET Guarantee Minimum Supply Voltage	V ⁺ _L	V _{OLR} =0.4V, I _{RESET} =200μA	—	0.8	1.2	V



● AC CHARACTERISTICS

(V⁺=5.0V, V_{SB}=5.0V, V_{SC}=0V, C_T=0.01 μF, Ta=25°C)

ITEM	SYMBOL	CONDITION	MIN.	TYP.	MAX.	UNIT
V _{SA} Input Pulse Width	t _{PIA}		—	3.0	—	μs
V _{SB} Input Pulse Width	t _{PIB}		—	1.5	—	μs
RESET Output Pulse Width	t _{PO}	V _{SB} =V ⁺	—	1.5	—	ms
RESET Rise Time	t _r	V _{SB} =V ⁺ , R _L =2.2kΩ, C _L =100pF	—	1.0	—	μs
RESET Fall Time	t _f	V _{SB} =V ⁺ , R _L =2.2kΩ, C _L =100pF	—	0.1	—	μs
Output Delay Time	t _{PD}	V _{SB} fall time	—	2	—	μs
Output Delay Time	t _{PHL}	V _{SC} rise time, R _L =2.2kΩ, C _L =100pF	—	0.5	—	μs
Output Delay Time	t _{PLH}	V _{SC} fall time, R _L =2.2kΩ, C _L =100pF	—	1.0	—	μs



■ TERMINAL FUNCTION

PIN NO.	SYMBOL	FUNCTION	INSIDE EQUIVALENT CIRCUIT
1	C_T	Pin Connection to Capacitor, Set the reset holding time.	
2	V_{sc}	Comparator Input	
3	OUT_C	Open Collector Output of Comparator C.	



■ TERMINAL FUNCTION

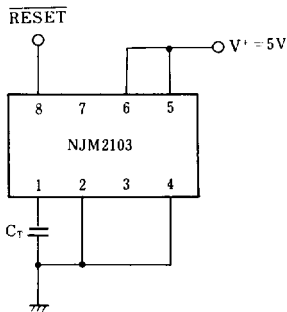
PIN NO.	SYMBOL	FUNCTION	INSIDE EQUIVALENT CIRCUIT
4	GND	Ground	
5	V ⁺	Operating Voltage	
6	V _{SB} /RESIN	Comparator B Input	
7	V _{SA}	Comparator A Input	
8	RESET	Reset Output Internalizing pull up resistor	



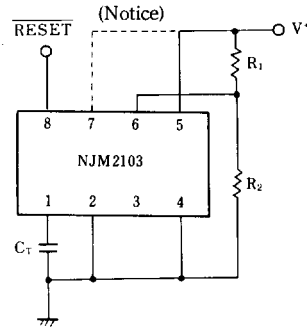
NJM2103

APPLICATION CIRCUIT

1) 5V Supply Voltage Monitor



2) Monitoring of Optional Supply Voltage ($V^+ \leq 13.5V$)

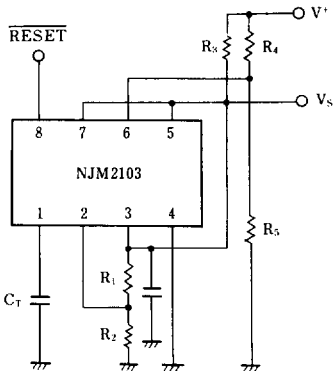


$$\text{Detecting Voltage} \approx \left(1 + \frac{R_1}{R_2}\right) \times V_{SB}$$

(Notice)

If it were that V^+ indicates under 4.50V, Connect 7 pin to V^+

3) Monitoring of Optional Supply Voltage ($V^+ > 13.5V$)

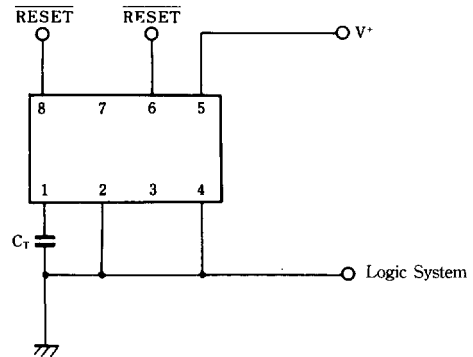


$$\text{Detecting Voltage} \approx \left(1 + \frac{R_4}{R_5}\right) \times V_{SB}$$

$$\text{Constant Voltage Output } V_S \approx \left(1 + \frac{R_1}{R_2}\right) \times V_{SC}$$

$$\overline{\text{RESET}} \text{ Output} \approx \begin{cases} V_S & \text{(High Level)} \\ 0V & \text{(Low Level)} \end{cases}$$

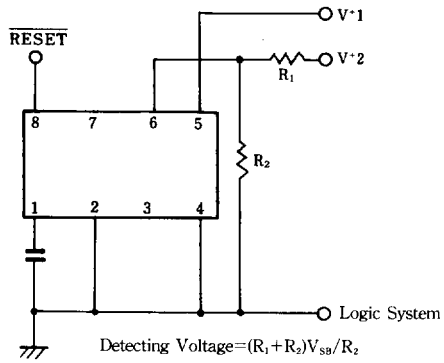
4) Compulsory Reset



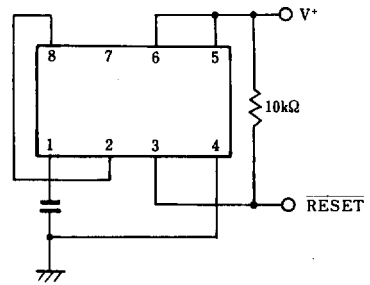
Input Reset signal TTL level to V_{SB} -terminal



5) 5V, V_{CC} < 12V Supply Voltage Monitor



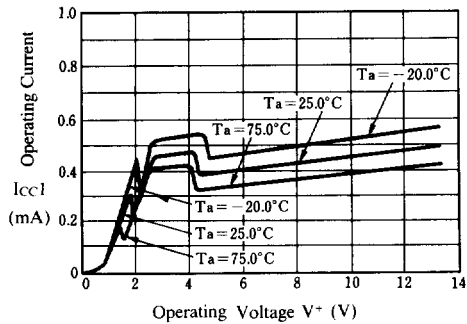
6) Non-Inverting Reset



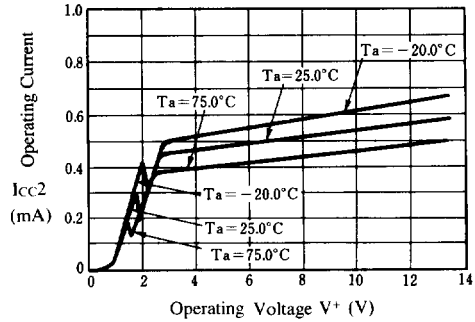


■ TYPICAL CHARACTERISTICS

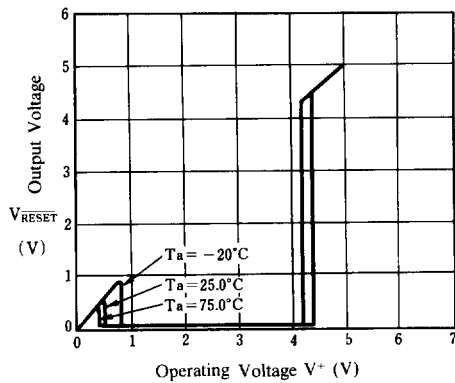
Operating Current 1 vs. Operating Voltage



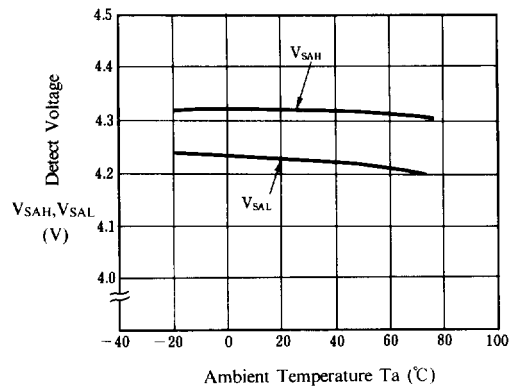
Operating Current 2 vs. Operating Voltage



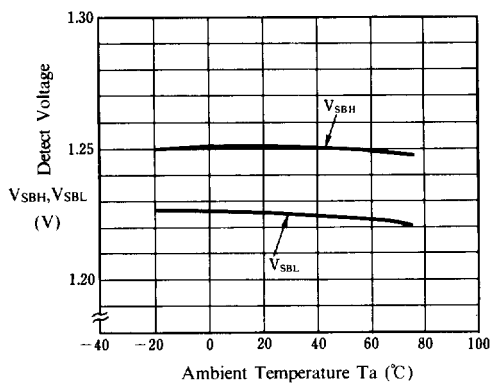
Output Voltage vs. Operating Voltage



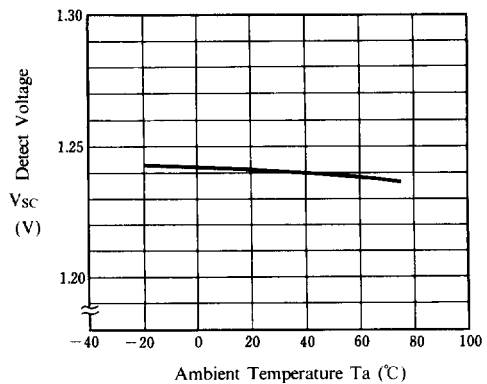
Detect Voltage (V_{SA}) vs. Temperature



Detect Voltage (V_{SB}) vs. Temperature



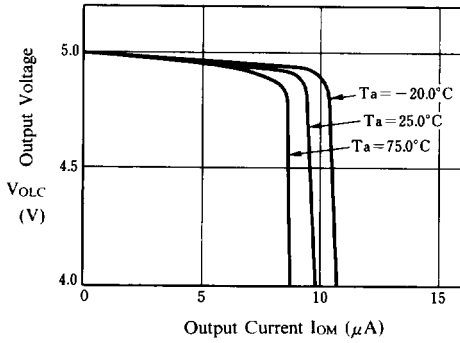
Detect Voltage (V_{SC}) vs. Temperature



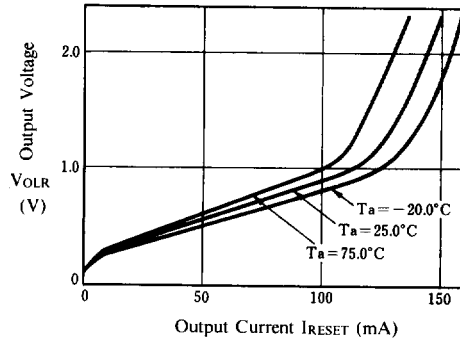


■ TYPICAL CHARACTERISTICS

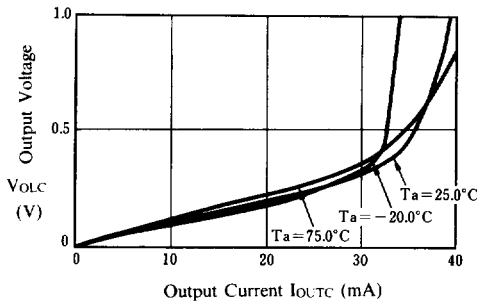
Output Voltage vs. Output Current



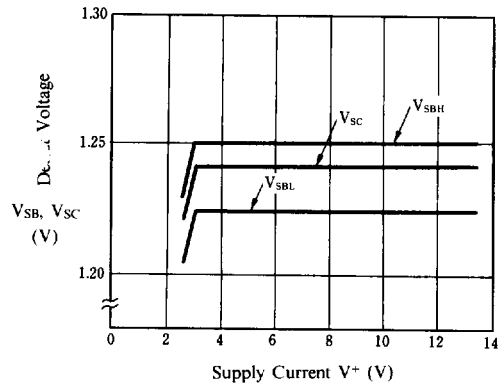
Output Voltage vs. Output Current



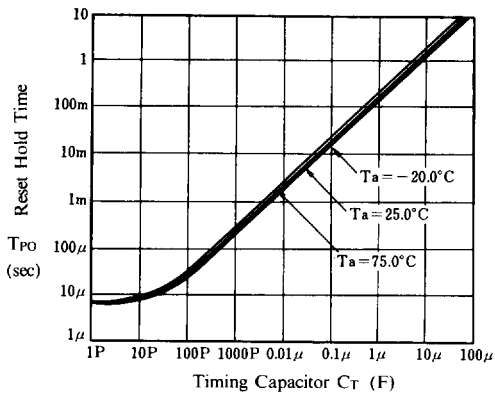
Output Voltage (OUTC) vs. Output Current (I_OLC)



Detect Voltage (V_SB, V_SC) vs. Supply Voltage



Reset Hold Time vs. C



Reset Hold Time vs. Operating Voltage

